

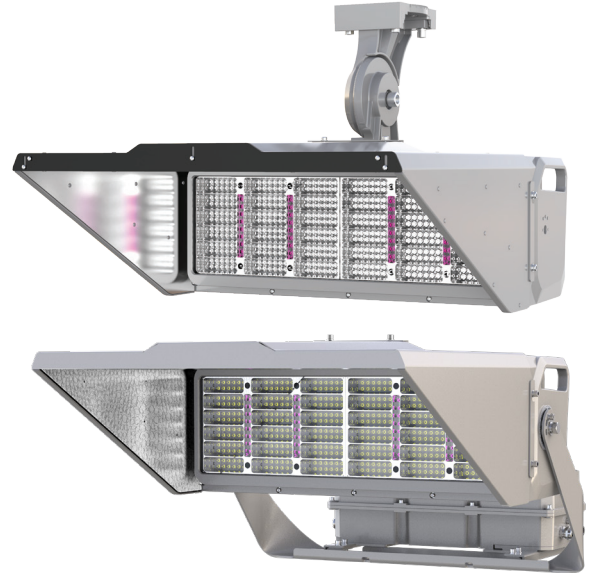


GlareX

RGBW Stadium Flood Light

Product Description

IKIO's GlareX RGBW Stadium Flood Light is equipped with advanced Optimum Light Management (OLM) technology, delivering precise RGBW color lighting. Designed for harsh weather conditions, it features a low EPA, superior WSR, and integrated anti-glare visors, along with 90-degree adjustable movement. This system ensures exceptional optical control and improved visibility, allowing players to track aerial balls with ease and offering spectators a spectacular viewing experience. GlareX provides precisely targeted illumination, minimizing light spillage, while its vacuum-aluminized reflector ensures exceptional reflectivity, enhancing brightness and energy efficiency.



Product Features

- Incorporates RGBW lens, enabling dynamic show lighting capabilities for an immersive viewing experience.
- Comes with a glare-control visor to minimize glare while avoiding unnecessary light spillage, achieving a UGR rating of <10.
- High-quality diffusion lens with a louvered design ensures focused light output for precise illumination.
- Incorporates a vacuum-aluminized reflector with >97% reflectivity for superior brightness.
- Engineered with a low EPA and high WSR for reduced wind load and enhanced durability in harsh weather conditions.
- Works efficiently with DMX control, providing efficient lighting control and lighting automation capability.

Application Areas

Stadiums and Sports Venues, Gymnasiums, Plazas, Airports, Courtyards, Public Areas, Ports and more.

Mounting Options



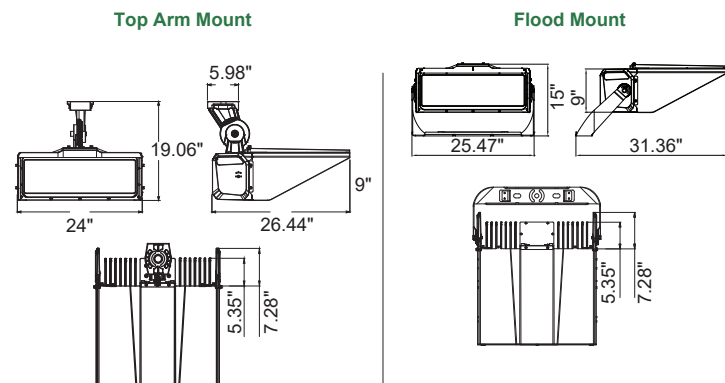
Top Arm Mount Bracket



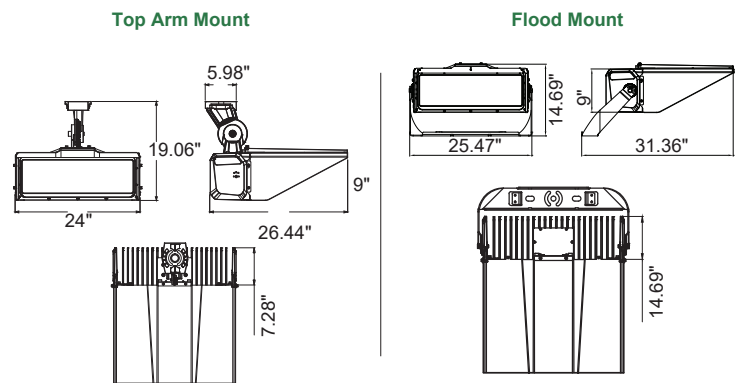
Flood Mount Bracket

Dimensions Diagrams

IK-GSFL-800W (800W)



IK-GSFL-1200W (1200W)



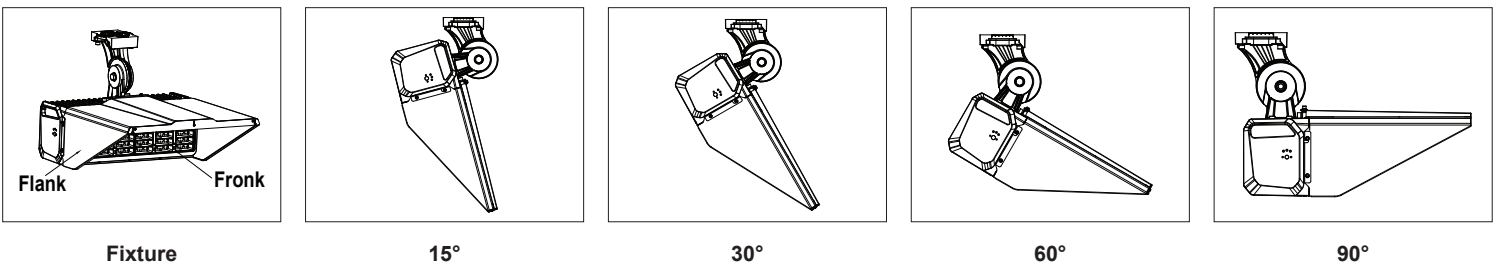
Technical Specifications

Power	800W+200W RGB 1200W+300W RGB	Protection Against Electric	Class I
Voltage	200-480V	Intelligent Control	DMX512-D4i, (DALI 2.0-DMX Optional)
Current	1.85A 2.78A	Operating Temperature	-22°F ~ +122°F
Power Factor	≥0.90	Suitable Location	WET
Total Harmonic Distortion (THD)	≤10%	Ingress Protection Rating (IP)	IP66
Percent Flicker (%)	<1%	Impact Protection Rating (IK)	IK08
Surge Protection	10kV (Optional- 20kV)	Average Life (Hours)	100,000H (L90B50 @77°F)
Lumen	100000lm 150000lm	Warranty (Years)	10 (Optional- 15, 20 & 25 Years)
Efficacy	125lm/W	LED Light Source	Osram
Color	Red, Green, Blue, White	Driver	Inventronics, PowerLand, UpowerTek
Color Rendering (CRI)	70+	Housing	Die-cast Aluminum
R9 (Red Value)	-36 -35	Finish	Gray (Powder Coated)
R13 (Skin Tones)	85	Lens	Polycarbonate+Glass
Beam angle	40°	Structure	Die-casting/High Thermal Conductivity AL
Dimmable Lighting Control	0-10V Dimming	Glare Rating	≤30
BUG Rating (Backlight, Uplight, and Glare)	B5-U3-G1	Light Distribution	Type I, Very Short
Diffuser	Clear	Qualified Part Number	DLC (In-Process)

Technical Specifications

Effective Projected Area (EPA) 800W				
	15°	30°	60°	90°
Direction	Flank	Flank	Flank	Flank
Maximum projected (m²)	0.12	0.12	0.12	0.12
EPA (ft²)	1.55	1.55	1.55	1.55

Effective Projected Area (EPA) 1200W				
	15°	30°	60°	90°
Direction	Flank	Flank	Flank	Flank
Maximum projected (m²)	0.12	0.12	0.12	0.12
EPA (ft²)	1.55	1.55	1.55	1.55



Ordering Information: *Typical order example: IK-GSFL-800W-RGBW-HV-GR-40D-SH-10SP-TAM-DMX*

IK	GSFL		RGBW	HV	GR	40°	SH			DMX
BRAND	FAMILY	POWER	COLOR	VOLTAGE	FINISH	BEAM ANGLE	ACCESSORIES	SURGE PROTECTION	MOUNTING OPTIONS	INTELLIGENT CONTROL
IK IKIO	GSFL GlareX Stadium Flood Light	<input type="checkbox"/> 800W <input type="checkbox"/> 1200W	<input type="checkbox"/> RGBW <i>Red, Green, Blue, White</i>	<input type="checkbox"/> HV <i>200-480V</i>	<input type="checkbox"/> GR <i>Gray</i>	<input type="checkbox"/> 40D <i>40°</i>	<input type="checkbox"/> SH <i>Shield</i>	<input type="checkbox"/> 10SP <i>10kV Surge Protection</i> <input type="checkbox"/> 20SP <i>20kV Surge Protection</i>	<input type="checkbox"/> TAM <i>Top Arm Mount Bracket</i> <input type="checkbox"/> FMED <i>Flood Mount Bracket with External Driver</i> <input type="checkbox"/> FM <i>Flood Mount Bracket</i>	<input type="checkbox"/> DMX <i>DMX Control</i>

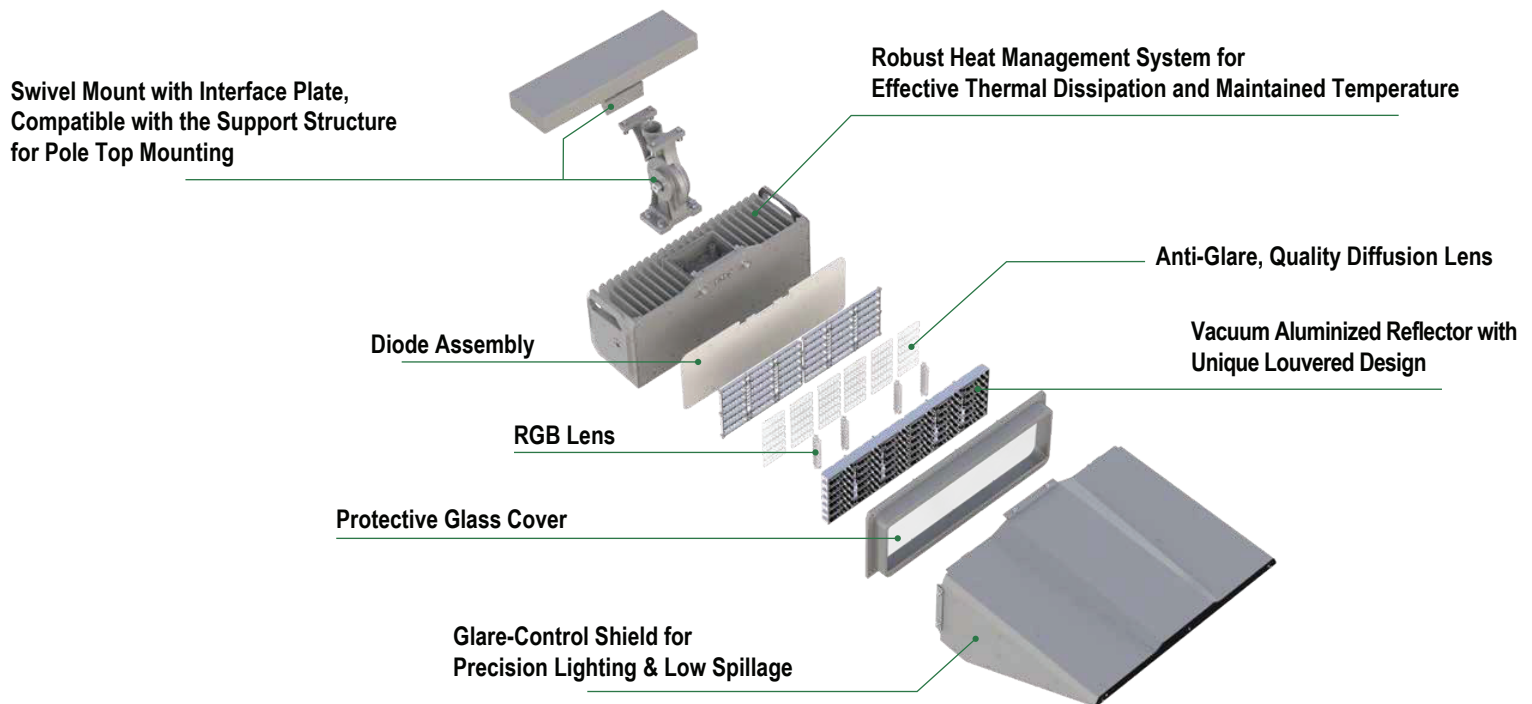
Ordering Part No.	Product SKU	Power	Voltage	Lumens	Efficacy	CCT	Beam Angle	Mounting Options
IK-GSFL-800W-RGBW-HV-GR-40D-SH-10SP-TAM-DMX	662187541068	800W	200-480V	100000lm	125lm/W	5000K	40°	Top Arm Mount Bracket
IK-GSFL-800W-RGBW-HV-GR-40D-SH-10SP-FM-DMX	662187541105	800W	200-480V	100000lm	125lm/W	5000K	40°	Flood Mount Bracket
IK-GSFL-800W-RGBW-HV-GR-40D-SH-10SP-FMED-DMX	662187541150	800W	200-480V	100000lm	125lm/W	5000K	40°	Flood Mount Bracket with External Driver Box
IK-GSFL-1200W-RGBW-HV-GR-40D-SH-10SP-TAM-DMX	662187541426	1200W	200-480V	150000lm	125lm/W	5000K	40°	Top Arm Mount Bracket
IK-GSFL-1200W-RGBW-HV-GR-40D-SH-10SP-FM-DMX	662187541464	1200W	200-480V	150000lm	125lm/W	5000K	40°	Flood Mount Bracket
IK-GSFL-1200W-RGBW-HV-GR-40D-SH-10SP-FMED-DMX	662187541501	1200W	200-480V	150000lm	125lm/W	5000K	40°	Flood Mount Bracket with External Driver Box

Download

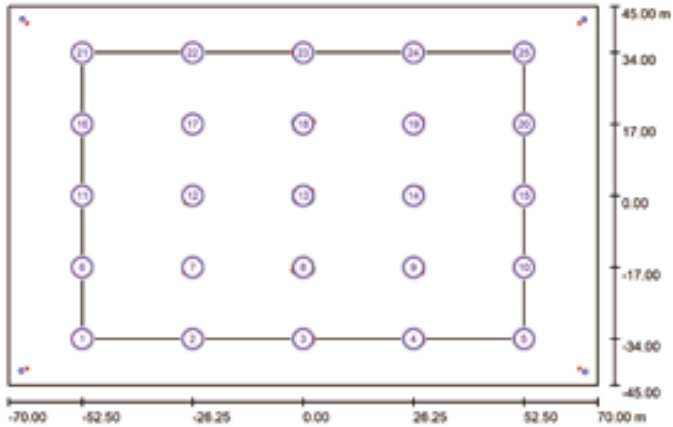
Installation Instructions

LM80 Report

Product Breakdown Diagram



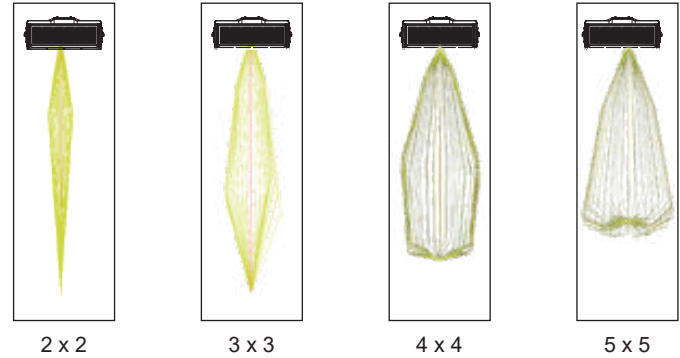
GR Observer (Results Overview)



HD Light GR<30 | Others' Light GR<50

Beam Spreads

The variety of beam spreads are excellent for large venue applications and precise areas that require specialized illumination.



Component Details (Retrofit System Upgrade)



1

Cross Arm/Support Structure

Existing support structure is replaced with tier-1 quality support arms (Top Mount or Flood Mount).

2

Pole Top Mounting, LED Fixture, & Shield

OLM® Technology with multifaceted optics and glare control design for precise illumination.

3

Safety Wire with Electrical Isolation

Opto-electrical separation design to reduce material costs.

5

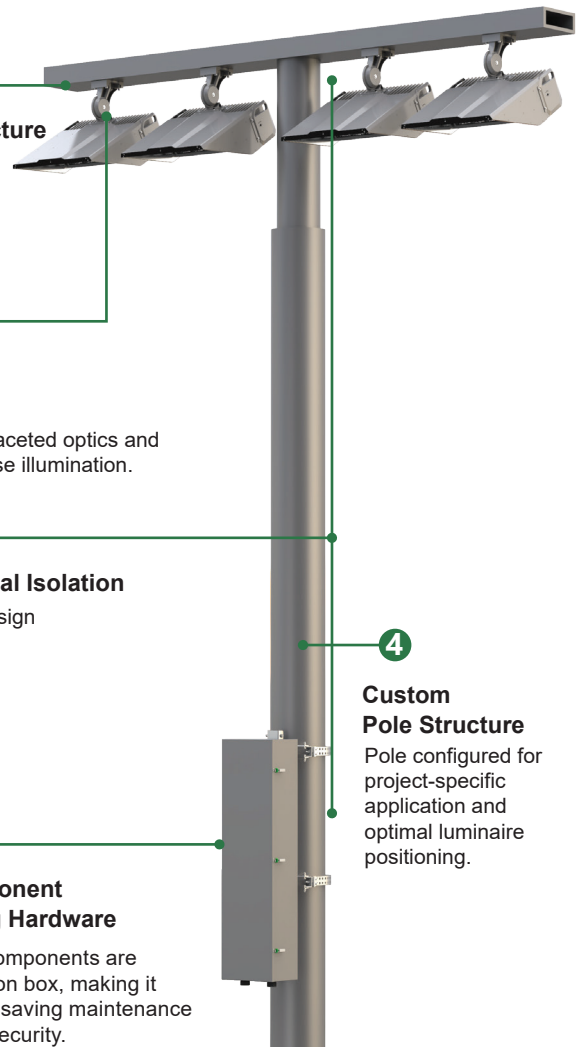
Remote Electrical Component Enclosure and Mounting Hardware

All the driver and electrical components are concentrated in the distribution box, making it convenient for maintenance, saving maintenance costs, and providing higher security.

4

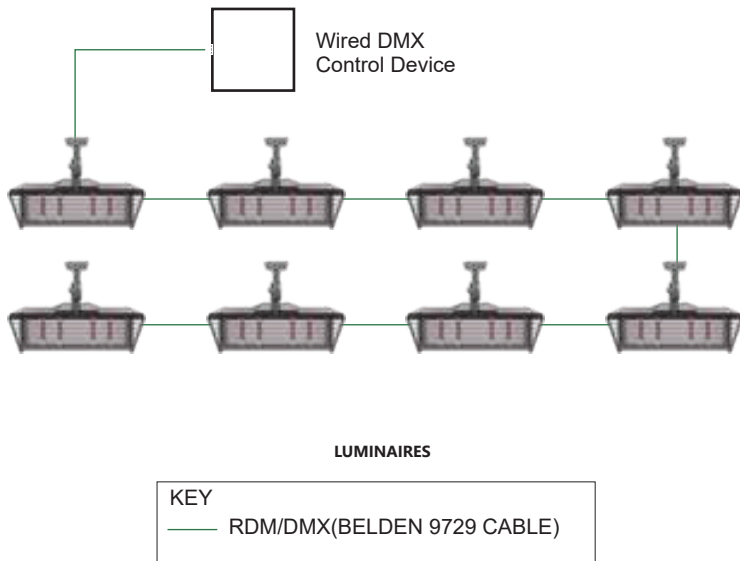
Custom Pole Structure

Pole configured for project-specific application and optimal luminaire positioning.



DMX Controls

Example System Topology (Wired DMX Controls)



Example System Topology (Remote Access Point With Wired DMX Controls Vpn gateway to dmx system controls)

