

IMPORTANT SAFEGUARDS

PLEASE CONSULT A QUALIFIED ELECTRICIAN FOR INSTALLATION. Ensure you read the instructions thoroughly before installing and using the luminaire.
To reduce the risk of death, personal injury, or property damage from fire, electric shock, falling parts, cuts/abrasions, and other hazards, please:

- Carefully read all warnings and instructions provided in the fixture box and on all fixture labels.
- Prior to installation, servicing, or routine maintenance, adhere to the following general precautions.
- Ensure that the installation, servicing, and maintenance of luminaires are carried out by a qualified, licensed electrician.
- For installation: If you are unsure about the installation or maintenance of the luminaires, consult a qualified, licensed electrician and refer to your local electrical code for guidance.
- To prevent wiring damage or abrasion, avoid exposing wiring to the edges of sheet metal or other sharp surfaces.
- Do not create or alter any open holes in the enclosure of wiring or electrical components during kit installation.
- Avoid covering any part of the fixture to prevent overheating.

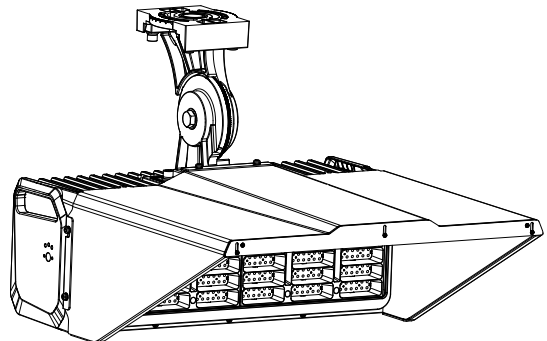
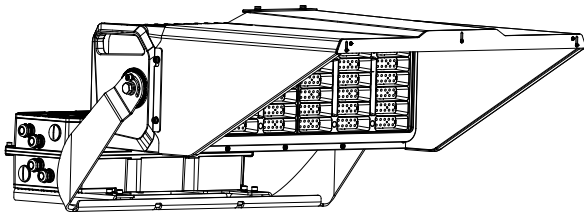
WARNING: RISK OF FIRE OR ELECTRICAL SHOCK

- Turn off the electrical power at the fuse box or circuit breaker before connecting the fixture to the power supply.
- Ensure the power remains off while performing any maintenance.
- Confirm that the supply voltage matches the specifications indicated on the luminaire label.
- Perform all electrical and grounding connections in compliance with the National Electrical Code and applicable local codes.
- Use UL-approved wire connectors to securely cap all wiring connections.

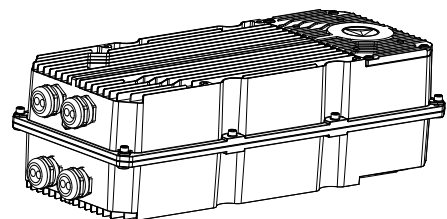
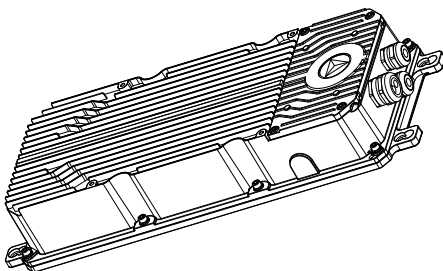
CAUTION: RISK OF INJURY

- Avoid direct eye exposure to the light source when it is illuminated.
- Keep track of small parts and dispose of packing materials properly, as they may pose a hazard to children.

Special Functions Instructions

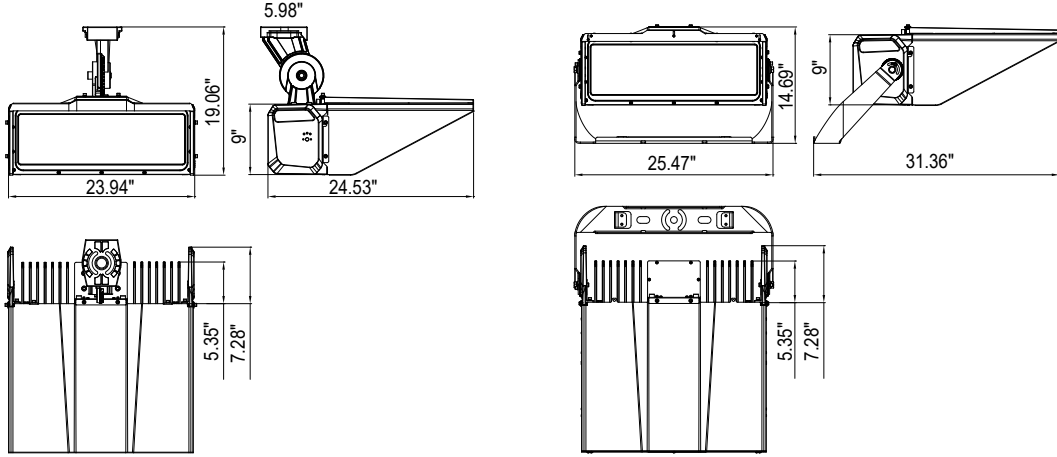


Driver Box

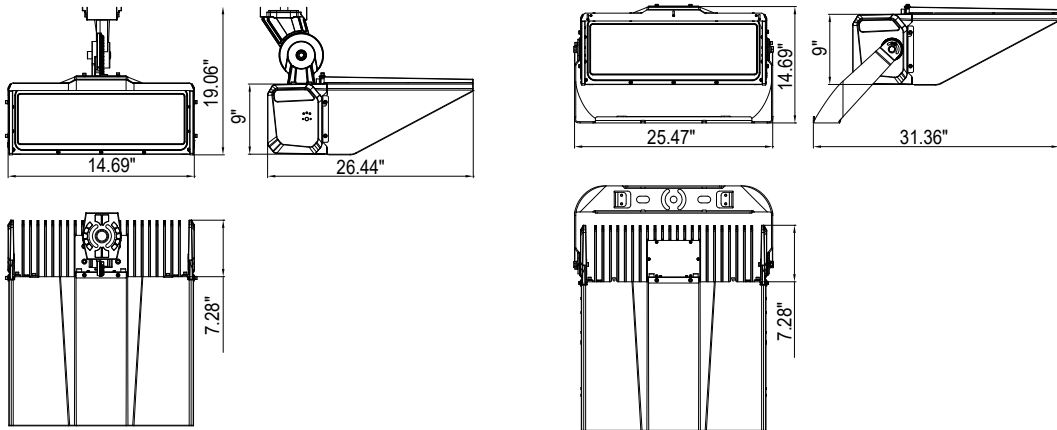


Product Overview

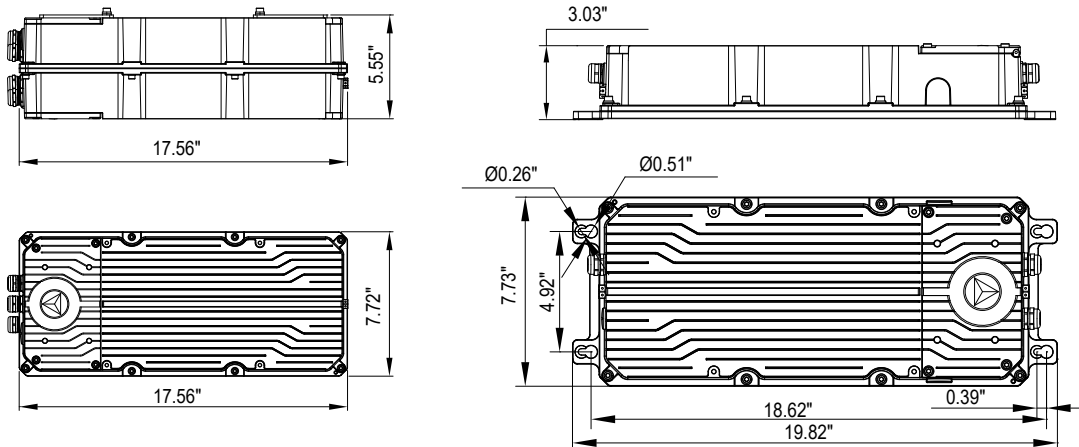
800W



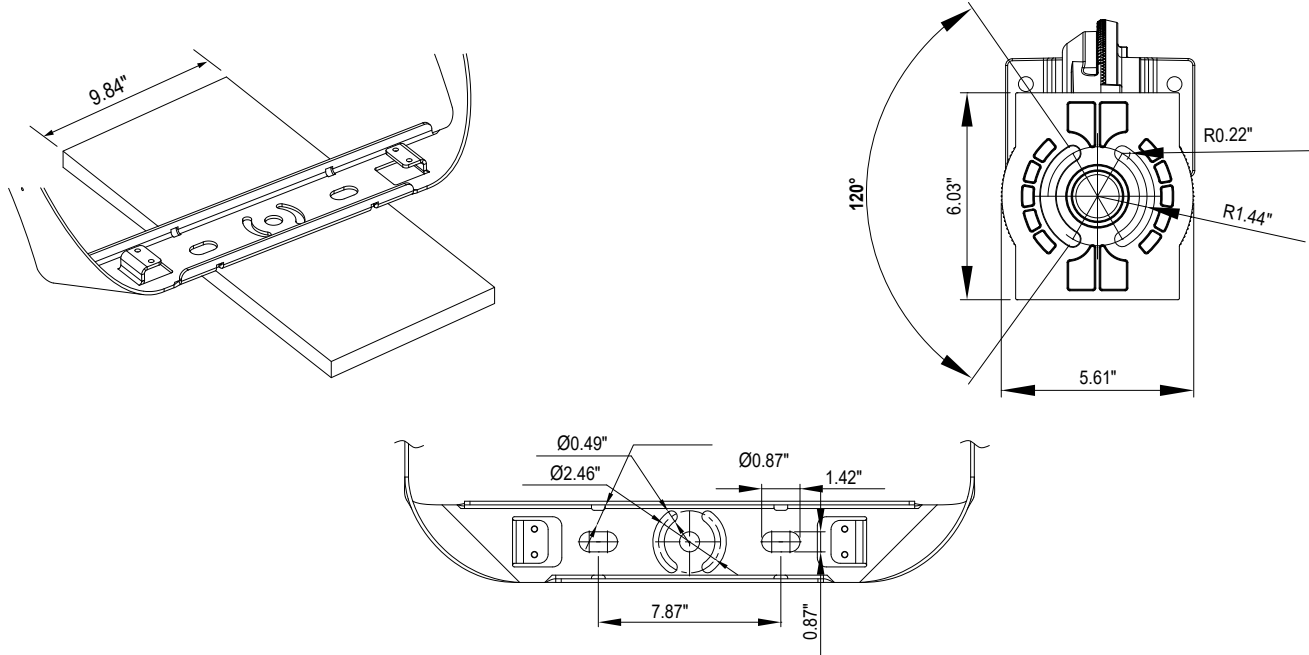
1200W



Driver Box



Mounting Dimensions

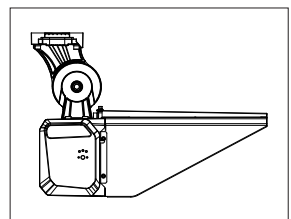
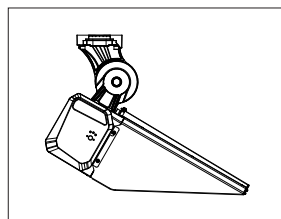
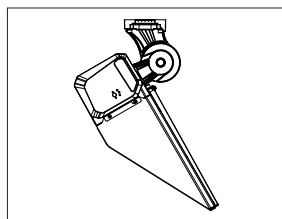
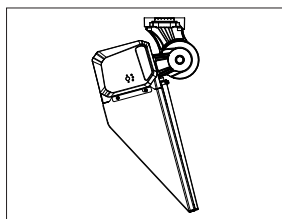
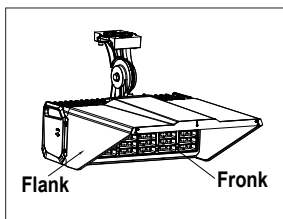


Effective Projected Area (EPA) 800W

	15°	30°	60°	90°
Direction	Flank	Flank	Flank	Flank
Maximum projected (m ²)	0.12	0.12	0.12	0.12
EPA (ft ²)	1.55	1.55	1.55	1.55

Effective Projected Area (EPA) 1200W

	15°	30°	60°	90°
Direction	Flank	Flank	Flank	Flank
Maximum projected (m ²)	0.12	0.12	0.12	0.12
EPA (ft ²)	1.55	1.55	1.55	1.55



Fixture

15°

30°

60°

90°

Mounting

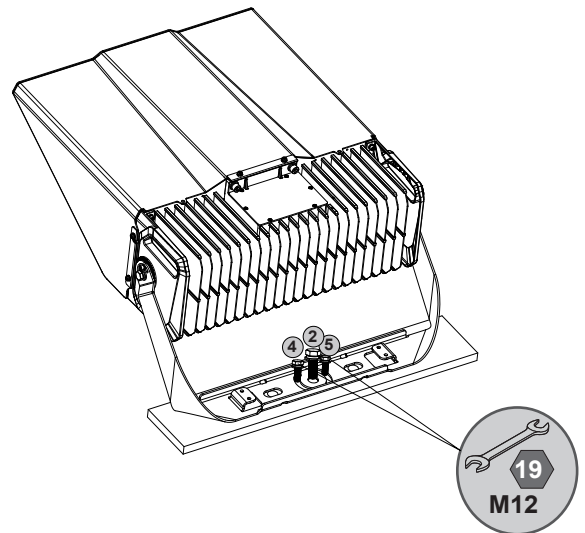
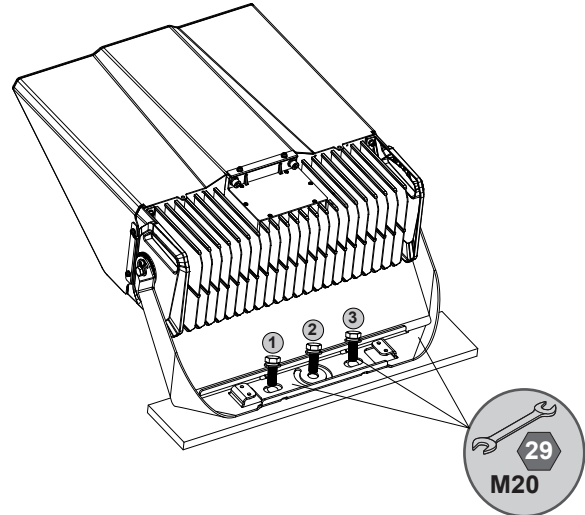
Minimum screw requirement:

Vibration standard	IEC 0.5g / ANSI 3.0g
Minimum fastener requirement	1x M20 8.8 or A2-70 DIN9021 large plain washer
Tightening torques	1xM20: 200 Nm 2xM20: 140 Nm 2xM12: 110 Nm

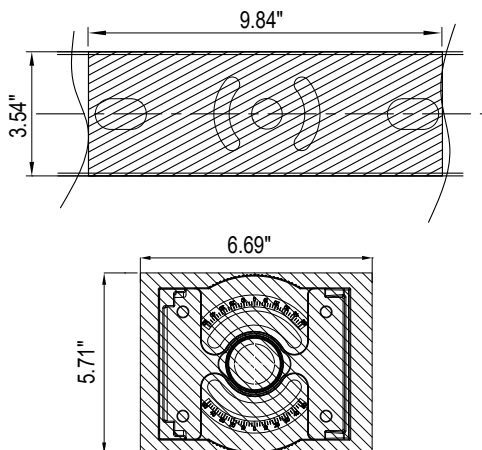
Recommended to use anti-seizing agent (Tikal Tef-Gel®)

1. If using position 1, the second screw must be placed in the opposite position 3, while position 2 is optional.
2. If using position 3, the second screw must be placed in the opposite position 1, and position 2 remains optional.
3. For rotation, position 2 must be used in conjunction with positions 4 and 5, as position 2 screws cannot be used alone.

⚠ The package does not include screws or washers!



Minimum Surface Contact Area for Screw Fixation



Fasteners are not included in the package.

Remark: The hatched area must always have a minimum support of 6.69" on a flat, planar mounting surface.

A wider surface contact is recommended, while a smaller contact area is not permitted.

Safety Cable

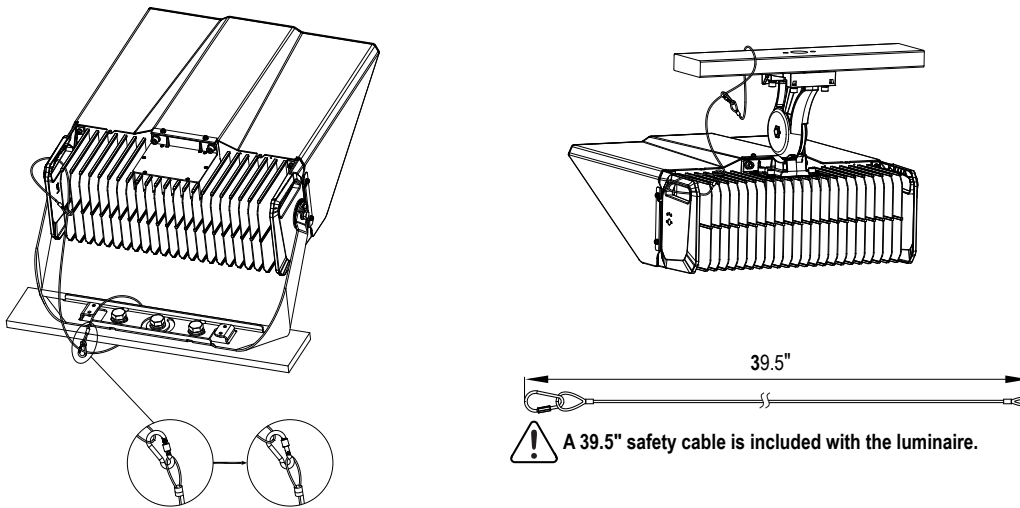
⚠ Notice

1. Ensure there are no sharp edges on the interface (bracket or hole) of the mounting side.
- 2 The safety chain must be replaced immediately if any of the below scenarios occur.

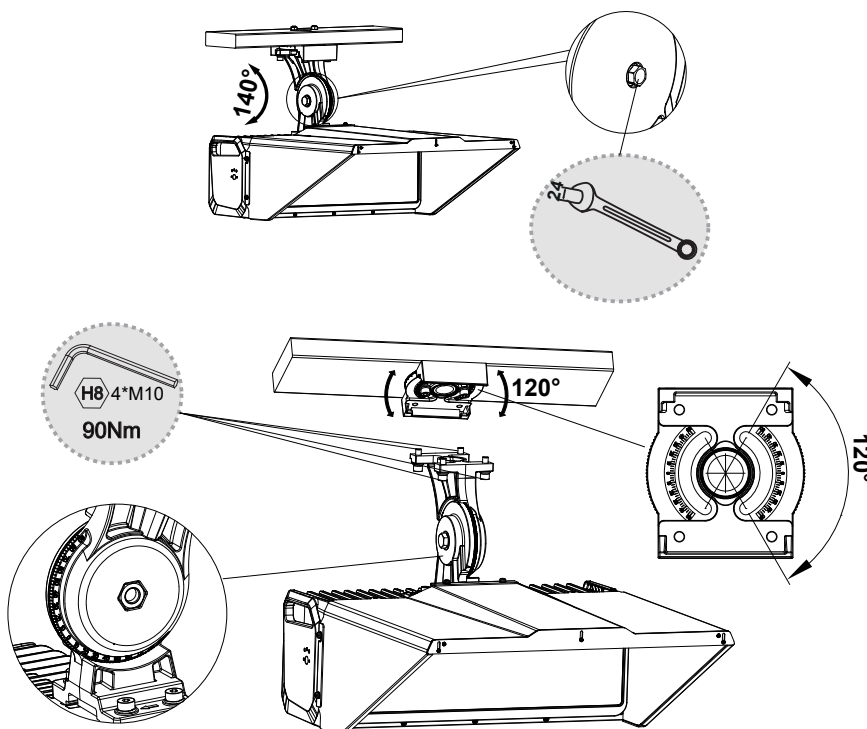
- a. The safety chain has been stretched at any time due to the luminaire falling.
- b. Any part of the steel wire is broken or frayed.
- c. The safety chain is intended to prevent the luminaire from falling but is not designed for long-term suspension.

For installations exceeding 3 meters in height:

- The use of a secondary safety system is mandatory and must be suitable for the luminaire's load (e.g., a safety cable).

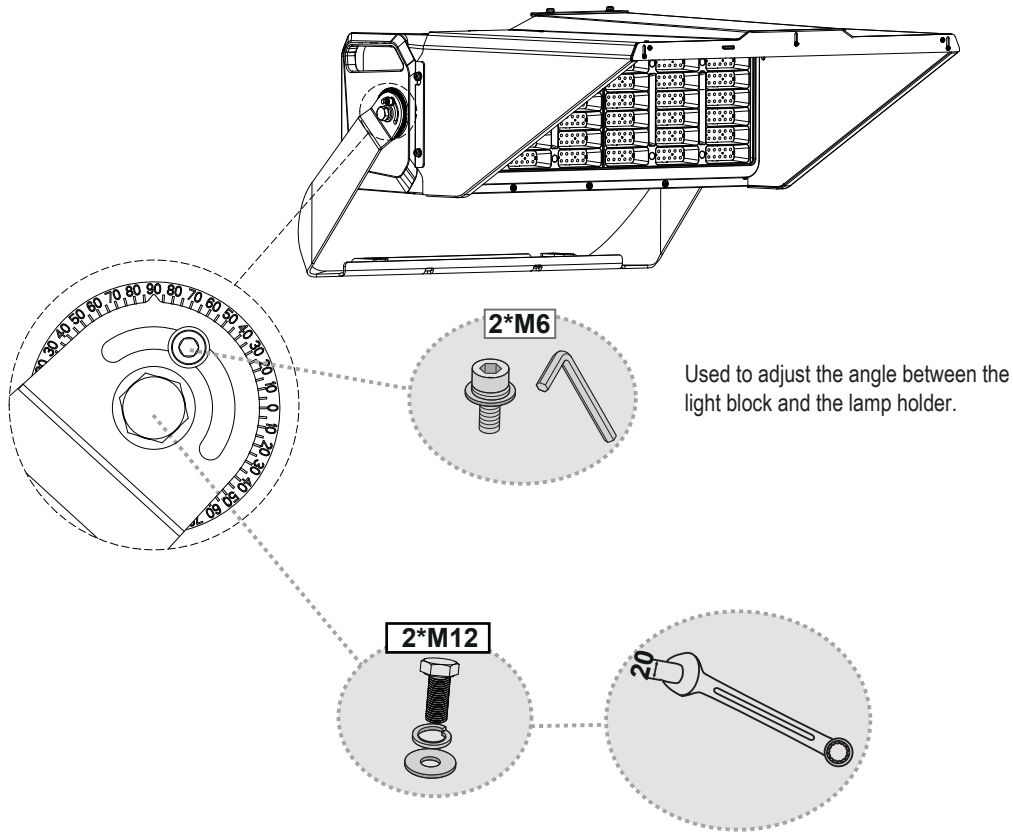


Angle Adjustment

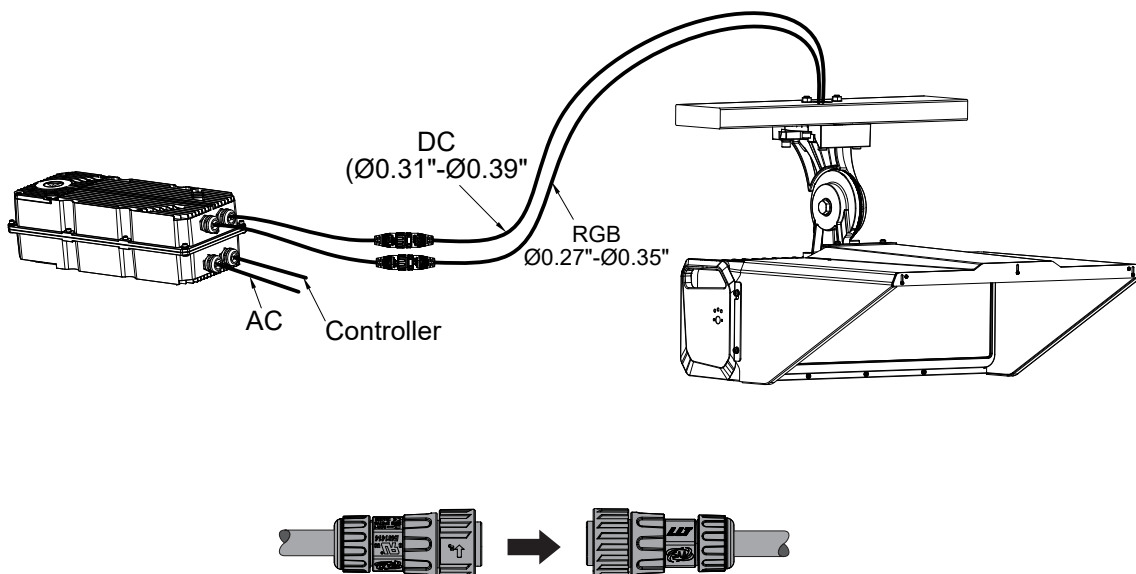


Each tooth is spaced
2 degrees apart.

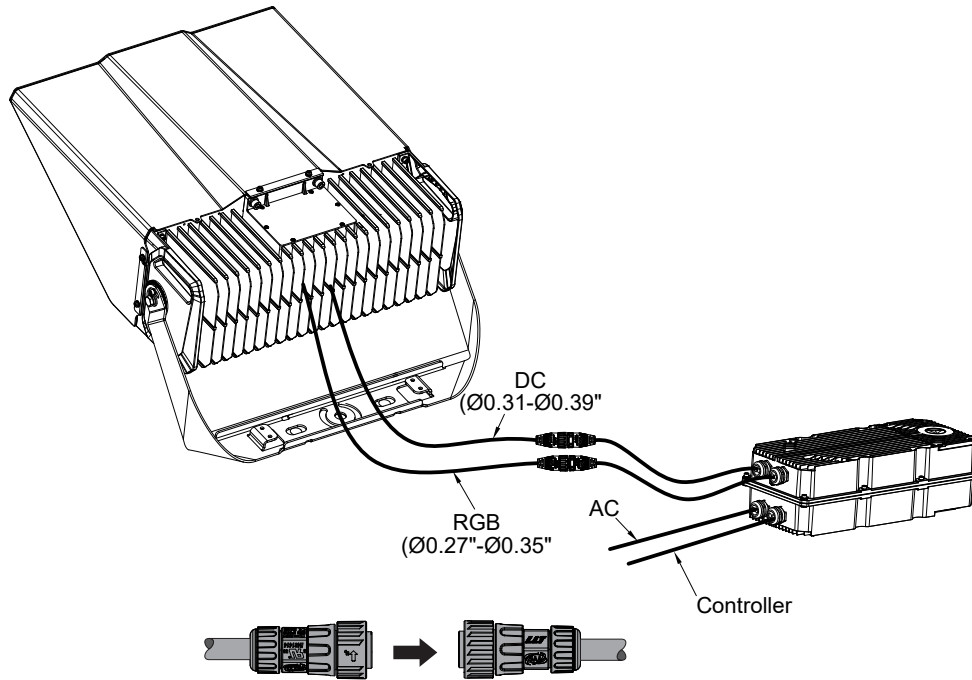
Bracket Installation



Electrical Connection



GLAREX STADIUM FLOOD LIGHT



! If the external flexible cable or cord of this luminaire is damaged, it must be replaced exclusively by the manufacturer, its service agent, or a similarly qualified professional to prevent any hazard.

Cable Types And Cable Gland

Wiring Diagram (AC)

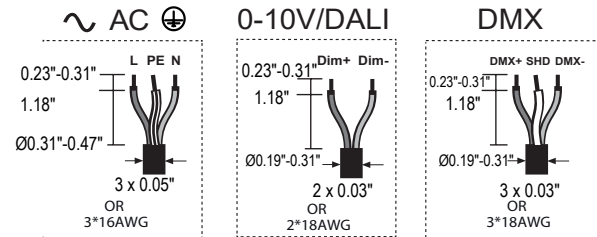
	EU	US	cabel	label
⚡	Brown	Black	--L--	L L
	Blue	White	--N--	N N
	Yellow&Green	Green	GND	⊕GND ⊕GND

NOTE:

When using a larger external diameter cable, both the plug and the smaller inner diameter seal must be removed. For a smaller external diameter cable, only the plug needs to be removed.

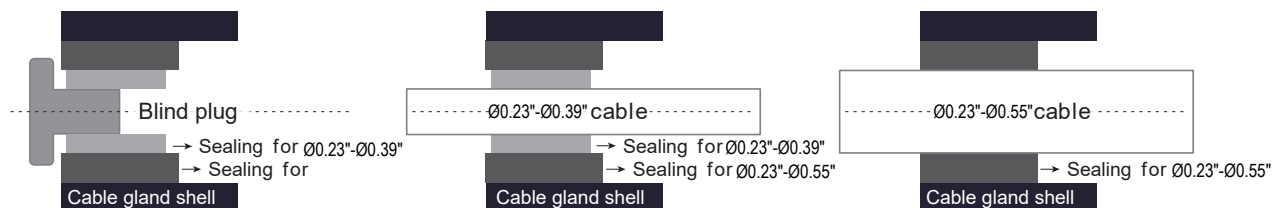
Wiring Diagram (DMX)

	EU	US	cabel	label
⚡	Brown	Purple	-- DMX+ --	DMX+ DMX+
	Blue	Pink	-- DMX- --	DMX- DMX-
	Black	Black&White	SHD	⊕SHD ⊕SHD



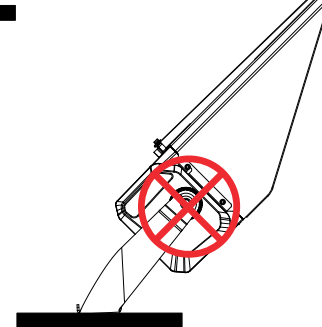
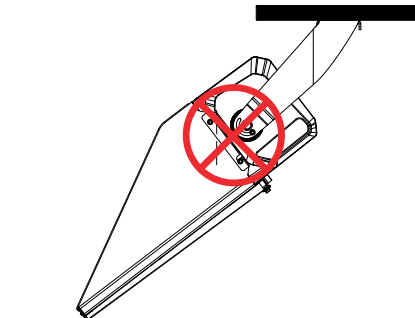
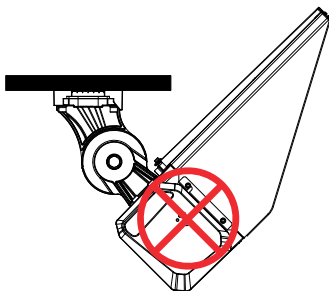
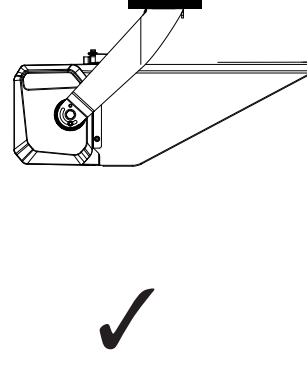
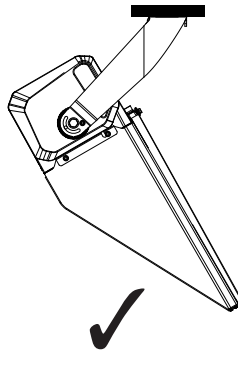
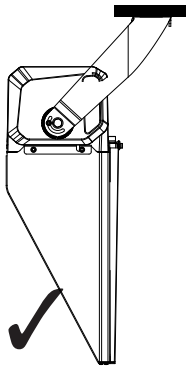
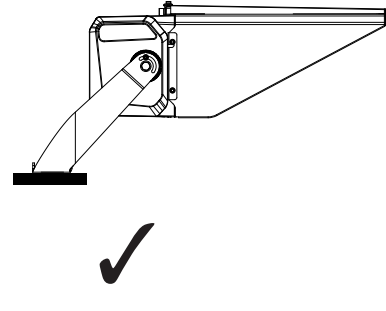
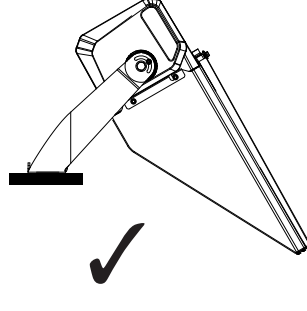
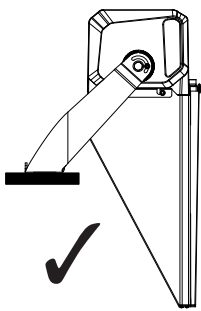
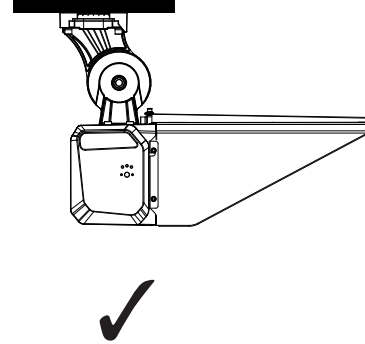
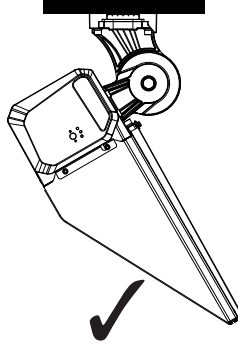
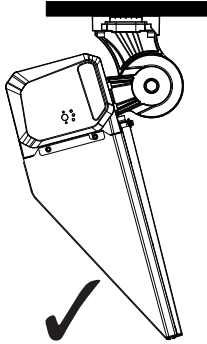
Wiring Diagram (0-10V/DALI)

	EU	US	cabel	label
⚡	Brown	Purple	-- Dim+ --	Dim+ Dim+
	Blue	Pink	-- Dim- --	Dim- Dim-



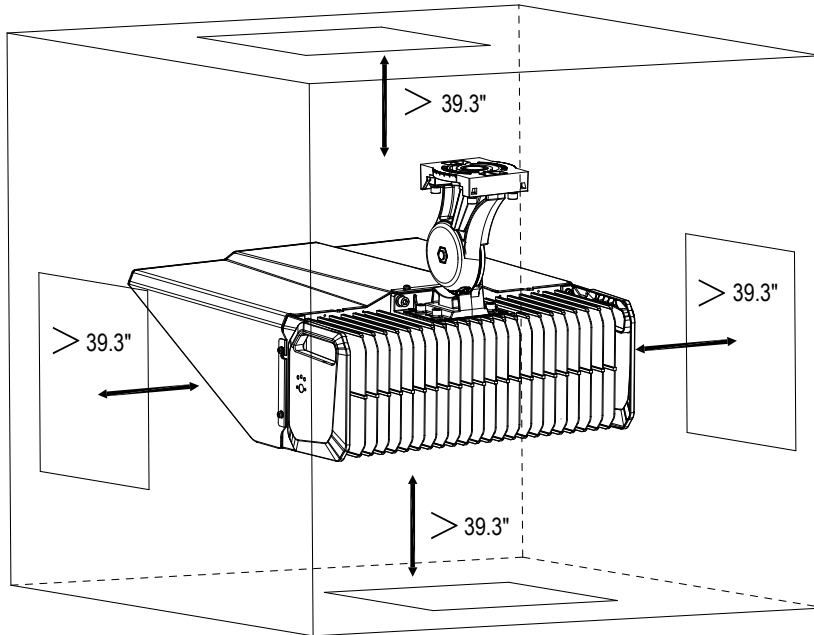
GLAREX STADIUM FLOOD LIGHT

Allowed Positioning



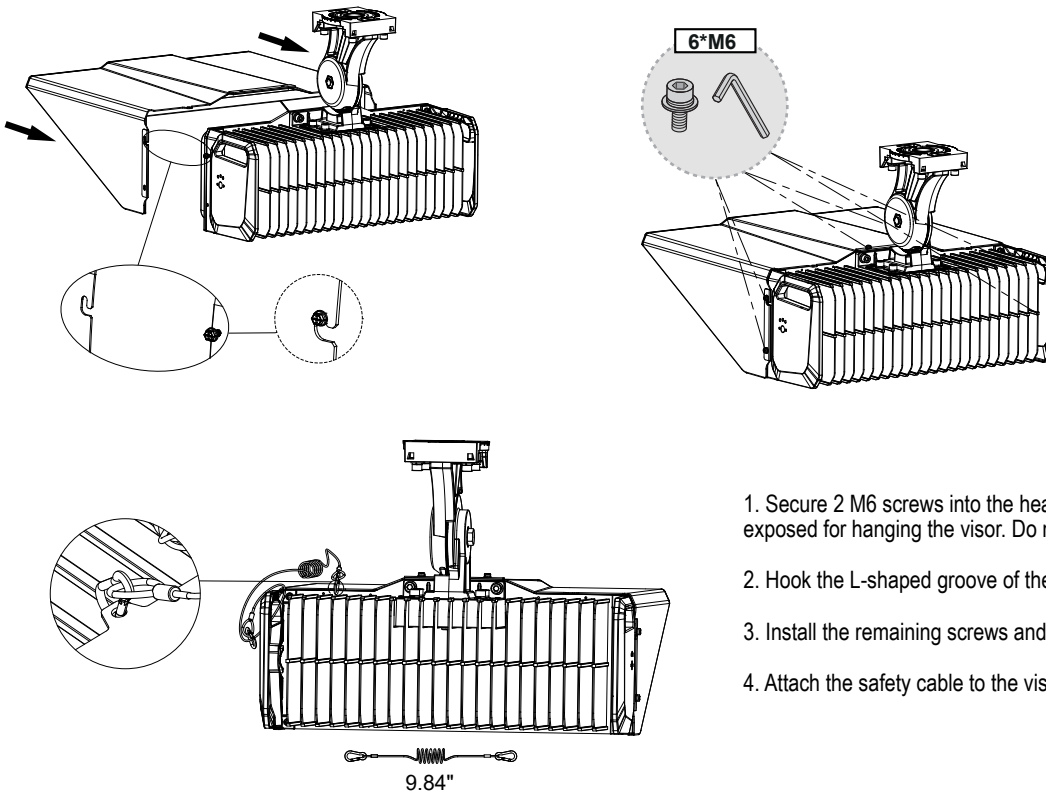
Allowed Positioning

Surrounding distances



! A minimum distance of 39.3" must be maintained from surrounding walls, floors, and ceilings for all types of mounting or inclination.

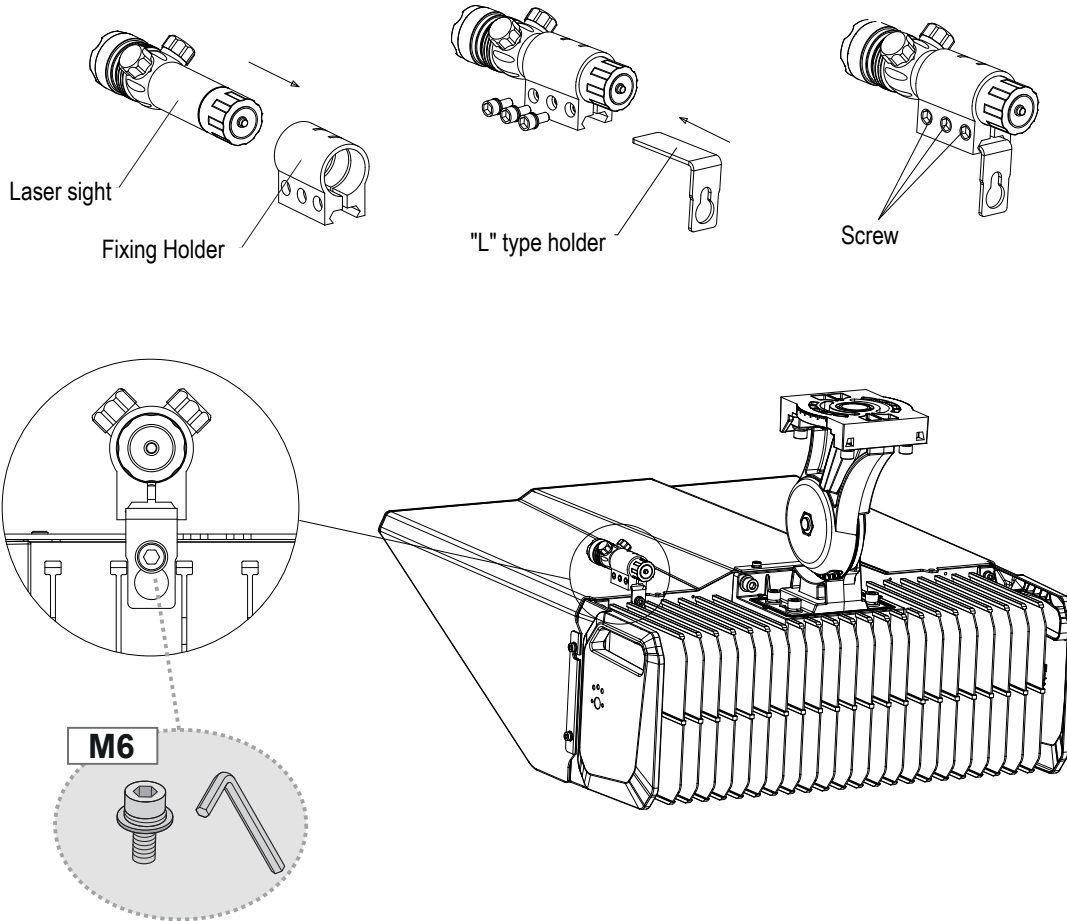
Accessories- Visor



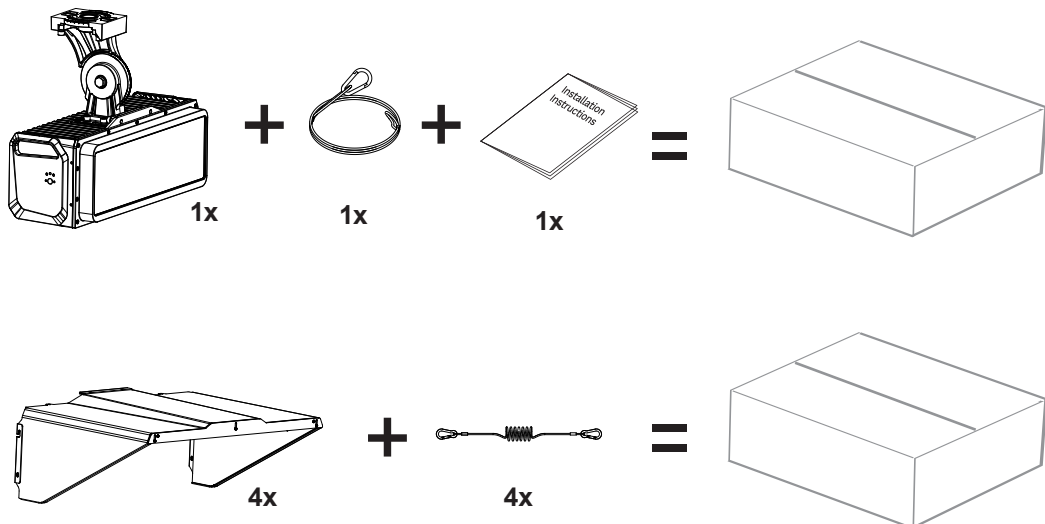
1. Secure 2 M6 screws into the heat sink, leaving 4-6mm of screw length exposed for hanging the visor. Do not fully tighten the screws.
2. Hook the L-shaped groove of the visor onto the screws.
3. Install the remaining screws and securely lock the visor in place.
4. Attach the safety cable to the visor.

Aiming Device

Laser Sight



Aiming Device



Warning

- The luminaire must be installed by a qualified electrician and wired in accordance with the latest IEEE electrical regulations or applicable national standards.
- Turn off the main power supply before installation, maintenance, or any operation.
- The light source in this luminaire should only be replaced by the manufacturer, its service agent, or a similarly qualified professional.
- This luminaire features a Y attachment. If the external flexible cable or cord is damaged, it must be replaced exclusively by the manufacturer, its service agent, or a similarly qualified professional to prevent hazards.
- Use IP66-grade connection devices with cable clamps to maintain a complete IP66 system.
- Refer to the technical datasheet for additional electrical properties to ensure safe installation.
- Ensure power supply cables (L-N / L-N-E) are correctly connected before switching on.
- The insulation between the low-voltage and control circuits is basic insulation.
- This product is unsuitable for corrosive environments, such as areas less than 1 km from the coast, port cranes, sea-crossing bridges, or islands.
- Position the luminaire to prevent prolonged staring into it at distances closer than 21 meters.
- The installer must connect the luminaire’s earthing contact to the earth ground, ensuring reliable linkage throughout its use.
- Avoid storing or using the luminaire in environments with corrosive or hazardous gases, such as sulfides, halides, or phthalates.
- The PC material is unsuitable for environments containing ethylamine, tetra-dichloroethylene, or other substances hazardous to PC material.
- All materials used in the luminaire comply with RoHS regulations, as detailed in the accompanying table.
- The luminaire should never be used in submerged wet conditions, such as water, soil, or snow.
- Failure to follow the provided mounting instructions and guidelines will void the warranty.
- This product does not include a junction box or connector.
- The product contains a light source with a specific energy efficiency class—refer to the label or table for details.
- For additional clarification, contact the manufacturer.

Maintenance

- Periodic cleaning of the luminaire’s optical lens cover is essential to maintain maximum optical efficiency.
- Clean the optical lens cover using clean water and a solution of non-abrasive soap, cleaner, or detergent. Do not use acid or alkali solutions to clean the exterior surface of the luminaire.

Caution

- The luminaire must be used in accordance with the applicable product specifications, installation instructions, and environmental conditions for storage and operation, as outlined in the application guidelines, to ensure a valid product warranty.
- The information provided in this document is believed to be accurate and reliable; however, it does not constitute part of any quotation or contract and is subject to change without notice.

Hazardous Material of Content In Product

Component Name	Hazardous Material Of Content					
	Pb	Hg	Cd	Cr-VI	PBB	PBDE
PCB Board	○	○	○	○	○	
Driver with All Materials Used	X	○	○	○	○	
PC Optical Diffuser	○	○	○	○	○	
Housing/Other Components	○	○	○	○	○	
The table is created in accordance with SJ/T II364						
○: Indicates hazardous material content within the limits specified by GB/T 26572.						
X: Indicates hazardous material content exceeding the limits specified by GB/T 26572.						
X: Applicable to China only						