



GlareX

Stadium Flood Light

Product Description

IKIO's GlareX Stadium Flood Light is uniquely designed with Optimum Light Management (OLM) technology, incorporating louvered, multi-faceted optics and anti-glare visors. This combination ensures optical precision and enhanced visibility, allowing players to effortlessly track aerial balls while providing spectators with a strain-free viewing experience. GlareX delivers focused light output exactly where needed, minimizing light spill immensely. Additionally, the vacuum-aluminized reflector achieves over 97% reflectivity, by enhancing visual clarity.



Product Features

- Delivers up to 150000lm for powerful and uniform illumination across large arenas.
- Designed with a low glare rating ($\leq 30GR$), it minimizes glare and enhances visual comfort.
- Standard 10kV surge protection with optional 20kV safeguards the fixture against electrical surges.
- With an IP66 rating, the luminaire is built for durability in wet locations and harsh weather conditions.
- 0-10V dimming provides precise control over light output, allowing customizable lighting levels for different applications.
- Sturdy construction features a die-cast aluminum housing, polycarbonate lens, and a powder-coated finish, ensuring resistance to corrosion and longevity.
- Available in multiple mounting options for your project-specific needs.

Mounting Options



Top Arm Mount Bracket



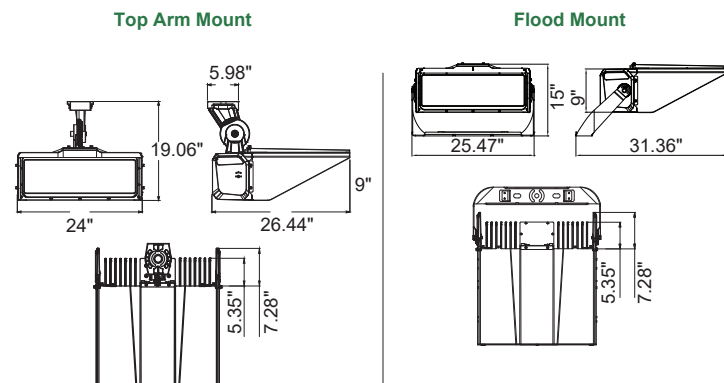
Flood Mount Bracket

Application Areas

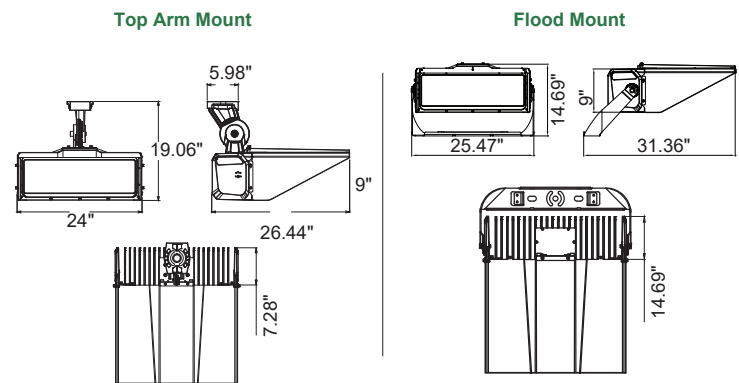
Stadiums and Sports Venues, Gymnasiums, Plazas, Airports, Courtyards, Public Areas, Ports and more.

Dimensions Diagrams

IK-GSFL-800W (800W)



IK-GSFL-1200W (1200W)



Technical Specifications

Power	800W 1200W	Protection Against Electric	Class I
Voltage	120-277V 277-480V	Intelligent Control	D4i, DALI 2.0, DMX (Optional)
Current	3.21A, 1.85A 4.81A, 2.78A	Operating Temperature	-22°F ~ +122°F
Power Factor	≥0.90	Suitable Location	WET
Total Harmonic Distortion (THD)	≤10%	Ingress Protection Rating (IP)	IP66
Percent Flicker (%)	<1%	Impact Protection Rating (IK)	IK08
Surge Protection	10kV (Optional- 20kV)	Average Life (Hours)	100,000H (L90B50 @77°F)
Lumen	100000lm 150000lm	Warranty (Years)	10 (Optional- 15, 20 & 25 Years)
Efficacy	125lm/W	LED Light Source	Osram SMD3030
Color Temperature (CCT)	3000K / 4000K / 5000K / 5700K / 6500K	Driver	Inventronics, PowerLand, UpowerTek
Color Rendering (CRI)	70	Housing	Die-cast Aluminum
R9 (Red Value)	-36	Finish	Gray (Powder Coated)
R13 (Skin Tones)	85	Lens	Polycarbonate+Glass
Beam angle	15° 20° 25° 40°	Structure	Die-casting/High Thermal Conductivity AL
Dimmable Lighting Control	0-10V Dimming	Glare Rating	≤30
BUG Rating (Backlight, Uplight, and Glare)	B5-U3-G1	Light Distribution	Type I, Very Short
Diffuser	Clear	Qualified Part Number	DLC (In-Process)

*Note: DMX controls can be added (optional) to this fixture for dynamic lighting flexibility.

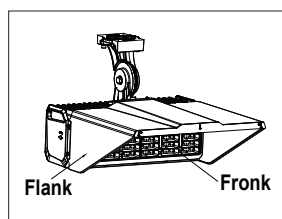
Technical Specifications

Effective Projected Area (EPA) 800W

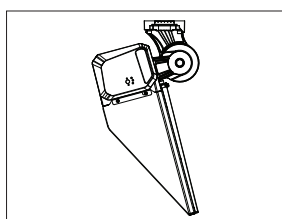
	15°	30°	60°	90°
Direction	Flank	Flank	Flank	Flank
Maximum projected (m²)	0.12	0.12	0.12	0.12
EPA (ft²)	1.55	1.55	1.55	1.55

Effective Projected Area (EPA) 1200W

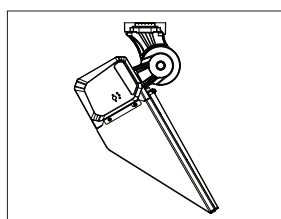
	15°	30°	60°	90°
Direction	Flank	Flank	Flank	Flank
Maximum projected (m²)	0.12	0.12	0.12	0.12
EPA (ft²)	1.55	1.55	1.55	1.55



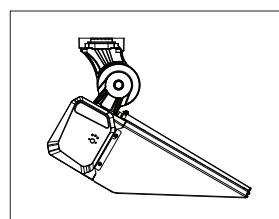
Fixture



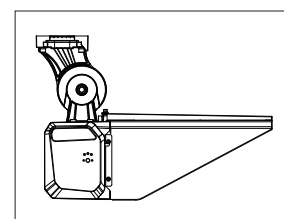
15°



30°



60°



90°

Ordering Information: *Typical order example: IK-GSFL-800W-50K-MV-GR-15D-SH-10SP-TAM*

IK	GSFL				GR		SH			
BRAND	FAMILY	POWER	CCT		VOLTAGE	FINISH	BEAM ANGLE	ACCESSORIES	SURGE PROTECTION	MOUNTING OPTIONS
IK IKIO	GSFL GlareX Stadium Flood Light	<input type="checkbox"/> 800W <input type="checkbox"/> 1200W	<input type="checkbox"/> 30K 3000K	<input type="checkbox"/> 40K 4000K	<input type="checkbox"/> MV 100-277V <input type="checkbox"/> HV 277-480V	<input type="checkbox"/> GR Gray	<input type="checkbox"/> 15D 15° <input type="checkbox"/> 20D 20° <input type="checkbox"/> 25D 25° <input type="checkbox"/> 40D 40°	<input type="checkbox"/> SH Shield	<input type="checkbox"/> 10SP 100-277V <input type="checkbox"/> 20SP 277-480V	<input type="checkbox"/> TAM Top Arm Mount Bracket <input type="checkbox"/> FMED Flood Mount Bracket with External Driver <input type="checkbox"/> FM Flood Mount Bracket

Ordering Part No.	Product SKU	Power	Voltage	Lumens	Efficacy	CCT	Beam Angle	Mounting Options
IK-GSFL-800W-50K-MV-GR-15D-SH-10SP-TAM	662187540818	800W	120-277V	100000lm	125lm/W	5000K	15°	Top Arm Mount Bracket
IK-GSFL-800W-50K-MV-GR-20D-SH-10SP-TAM	662187511405	800W	120-277V	100000lm	125lm/W	5000K	20°	Top Arm Mount Bracket
IK-GSFL-800W-50K-MV-GR-25D-SH-10SP-TAM	662187540825	800W	120-277V	100000lm	125lm/W	5000K	25°	Top Arm Mount Bracket
IK-GSFL-800W-50K-MV-GR-40D-SH-10SP-TAM	662187540832	800W	120-277V	100000lm	125lm/W	5000K	40°	Top Arm Mount Bracket
IK-GSFL-800W-50K-MV-GR-15D-SH-10SP-FM	662187540849	800W	120-277V	100000lm	125lm/W	5000K	15°	Flood Mount Bracket
IK-GSFL-800W-50K-MV-GR-20D-SH-10SP-FM	662187540856	800W	120-277V	100000lm	125lm/W	5000K	20°	Flood Mount Bracket
IK-GSFL-800W-50K-MV-GR-25D-SH-10SP-FM	662187540863	800W	120-277V	100000lm	125lm/W	5000K	25°	Flood Mount Bracket
IK-GSFL-800W-50K-MV-GR-40D-SH-10SP-FM	662187540870	800W	120-277V	100000lm	125lm/W	5000K	40°	Flood Mount Bracket
IK-GSFL-800W-50K-MV-GR-15D-SH-10SP-FMED	662187540887	800W	120-277V	100000lm	125lm/W	5000K	15°	Flood Mount Bracket with External Driver Box
IK-GSFL-800W-50K-MV-GR-20D-SH-10SP-FMED	662187540894	800W	120-277V	100000lm	125lm/W	5000K	20°	Flood Mount Bracket with External Driver Box
IK-GSFL-800W-50K-MV-GR-25D-SH-10SP-FMED	662187540900	800W	120-277V	100000lm	125lm/W	5000K	25°	Flood Mount Bracket with External Driver Box
IK-GSFL-800W-50K-MV-GR-40D-SH-10SP-FMED	662187540917	800W	120-277V	100000lm	125lm/W	5000K	40°	Flood Mount Bracket with External Driver Box
IK-GSFL-800W-50K-HV-GR-15D-SH-10SP-TAM	662187540924	800W	277-480V	100000lm	125lm/W	5000K	15°	Top Arm Mount Bracket
IK-GSFL-800W-50K-HV-GR-20D-SH-10SP-TAM	662187511528	800W	277-480V	100000lm	125lm/W	5000K	20°	Top Arm Mount Bracket
IK-GSFL-800W-50K-HV-GR-25D-SH-10SP-TAM	662187540931	800W	277-480V	100000lm	125lm/W	5000K	25°	Top Arm Mount Bracket
IK-GSFL-800W-50K-HV-GR-40D-SH-10SP-TAM	662187540948	800W	277-480V	100000lm	125lm/W	5000K	40°	Top Arm Mount Bracket
IK-GSFL-800W-50K-HV-GR-15D-SH-10SP-FM	662187540955	800W	277-480V	100000lm	125lm/W	5000K	15°	Flood Mount Bracket
IK-GSFL-800W-50K-HV-GR-20D-SH-10SP-FM	662187540962	800W	277-480V	100000lm	125lm/W	5000K	20°	Flood Mount Bracket
IK-GSFL-800W-50K-HV-GR-25D-SH-10SP-FM	662187540979	800W	277-480V	100000lm	125lm/W	5000K	25°	Flood Mount Bracket
IK-GSFL-800W-50K-HV-GR-40D-SH-10SP-FM	662187540986	800W	277-480V	100000lm	125lm/W	5000K	40°	Flood Mount Bracket
IK-GSFL-800W-50K-HV-GR-15D-SH-10SP-FMED	662187540993	800W	277-480V	100000lm	125lm/W	5000K	15°	Flood Mount Bracket with External Driver Box
IK-GSFL-800W-50K-HV-GR-20D-SH-10SP-FMED	662187541006	800W	277-480V	100000lm	125lm/W	5000K	20°	Flood Mount Bracket with External Driver Box
IK-GSFL-800W-50K-HV-GR-25D-SH-10SP-FMED	662187541013	800W	277-480V	100000lm	125lm/W	5000K	25°	Flood Mount Bracket with External Driver Box
IK-GSFL-800W-50K-HV-GR-40D-SH-10SP-FMED	662187541020	800W	277-480V	100000lm	125lm/W	5000K	40°	Flood Mount Bracket with External Driver Box
IK-GSFL-1200W-50K-MV-GR-15D-SH-10SP-TAM	662187541167	1200W	120-277V	150000lm	125lm/W	5000K	15°	Top Arm Mount Bracket
IK-GSFL-1200W-50K-MV-GR-20D-SH-10SP-TAM	662187541174	1200W	120-277V	150000lm	125lm/W	5000K	20°	Top Arm Mount Bracket
IK-GSFL-1200W-50K-MV-GR-25D-SH-10SP-TAM	662187541181	1200W	120-277V	150000lm	125lm/W	5000K	25°	Top Arm Mount Bracket
IK-GSFL-1200W-50K-MV-GR-40D-SH-10SP-TAM	662187541198	1200W	120-277V	150000lm	125lm/W	5000K	40°	Top Arm Mount Bracket
IK-GSFL-1200W-50K-MV-GR-15D-SH-10SP-FM	662187541204	1200W	120-277V	150000lm	125lm/W	5000K	15°	Flood Mount Bracket
IK-GSFL-1200W-50K-MV-GR-20D-SH-10SP-FM	662187541211	1200W	120-277V	150000lm	125lm/W	5000K	20°	Flood Mount Bracket
IK-GSFL-1200W-50K-MV-GR-25D-SH-10SP-FM	662187541228	1200W	120-277V	150000lm	125lm/W	5000K	25°	Flood Mount Bracket
IK-GSFL-1200W-50K-MV-GR-40D-SH-10SP-FM	662187541235	1200W	120-277V	150000lm	125lm/W	5000K	40°	Flood Mount Bracket
IK-GSFL-1200W-50K-MV-GR-15D-SH-10SP-FMED	662187541242	1200W	120-277V	150000lm	125lm/W	5000K	15°	Flood Mount Bracket with External Driver Box
IK-GSFL-1200W-50K-MV-GR-20D-SH-10SP-FMED	662187541259	1200W	120-277V	150000lm	125lm/W	5000K	20°	Flood Mount Bracket with External Driver Box
IK-GSFL-1200W-50K-MV-GR-25D-SH-10SP-FMED	662187541266	1200W	120-277V	150000lm	125lm/W	5000K	25°	Flood Mount Bracket with External Driver Box
IK-GSFL-1200W-50K-MV-GR-40D-SH-10SP-FMED	662187541273	1200W	120-277V	150000lm	125lm/W	5000K	40°	Flood Mount Bracket with External Driver Box
IK-GSFL-1200W-50K-HV-GR-15D-SH-10SP-TAM	662187541280	1200W	277-480V	150000lm	125lm/W	5000K	15°	Top Arm Mount Bracket
IK-GSFL-1200W-50K-HV-GR-20D-SH-10SP-TAM	662187541297	1200W	277-480V	150000lm	125lm/W	5000K	20°	Top Arm Mount Bracket
IK-GSFL-1200W-50K-HV-GR-25D-SH-10SP-TAM	662187541303	1200W	277-480V	150000lm	125lm/W	5000K	25°	Top Arm Mount Bracket
IK-GSFL-1200W-50K-HV-GR-40D-SH-10SP-TAM	662187541310	1200W	277-480V	150000lm	125lm/W	5000K	40°	Top Arm Mount Bracket
IK-GSFL-1200W-50K-HV-GR-15D-SH-10SP-FM	662187541327	1200W	277-480V	150000lm	125lm/W	5000K	15°	Flood Mount Bracket
IK-GSFL-1200W-50K-HV-GR-20D-SH-10SP-FM	662187541334	1200W	277-480V	150000lm	125lm/W	5000K	20°	Flood Mount Bracket

Ordering Part No.	Product SKU	Power	Voltage	Lumens	Efficacy	CCT	Beam Angle	Mounting Options
IK-GSFL-1200W-50K-HV-GR-25D-SH-10SP-FM	662187541341	1200W	277-480V	150000lm	125lm/W	5000K	25°	Flood Mount Bracket
IK-GSFL-1200W-50K-HV-GR-40D-SH-10SP-FM	662187541358	1200W	277-480V	150000lm	125lm/W	5000K	40°	Flood Mount Bracket
IK-GSFL-1200W-50K-HV-GR-15D-SH-10SP-FMED	662187541365	1200W	277-480V	150000lm	125lm/W	5000K	15°	Flood Mount Bracket with External Driver Box
IK-GSFL-1200W-50K-HV-GR-20D-SH-10SP-FMED	662187541372	1200W	277-480V	150000lm	125lm/W	5000K	20°	Flood Mount Bracket with External Driver Box
IK-GSFL-1200W-50K-HV-GR-25D-SH-10SP-FMED	662187541389	1200W	277-480V	150000lm	125lm/W	5000K	25°	Flood Mount Bracket with External Driver Box
IK-GSFL-1200W-50K-HV-GR-40D-SH-10SP-FMED	662187541396	1200W	277-480V	150000lm	125lm/W	5000K	40°	Flood Mount Bracket with External Driver Box

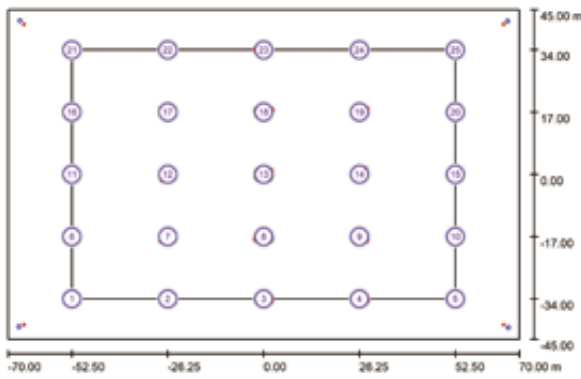
Download

Installation Instructions

IES Files

LM80 Report

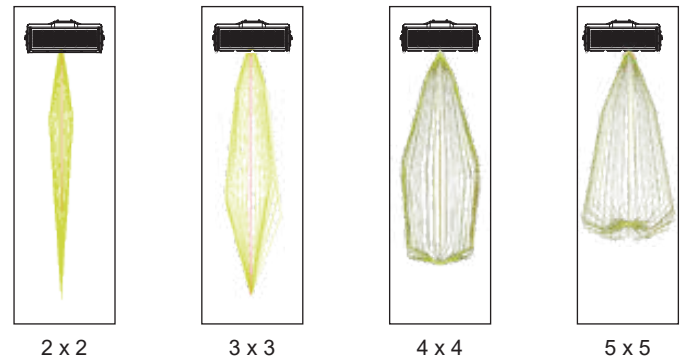
GR Observer (Results Overview)



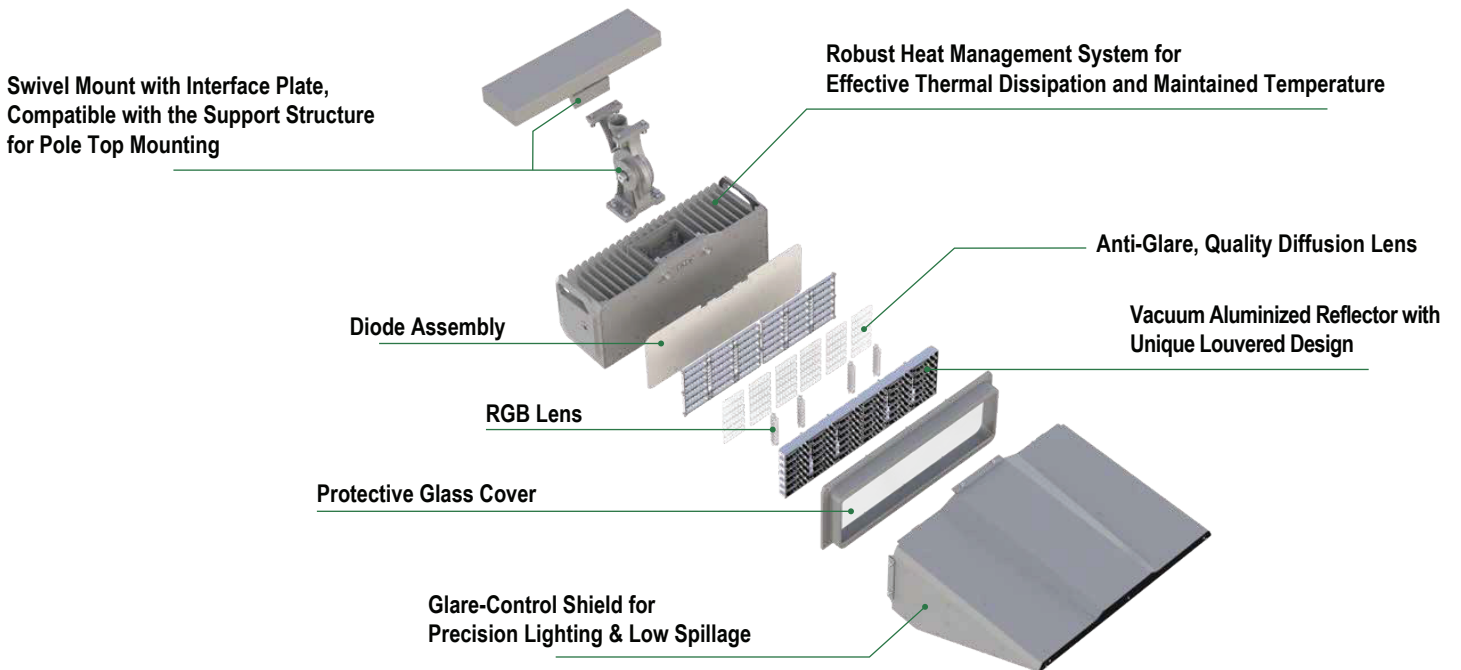
HD Light GR<30 | Others' Light GR<50

Beam Spreads

The variety of beam spreads are excellent for large venue applications and precise areas that require specialized illumination.

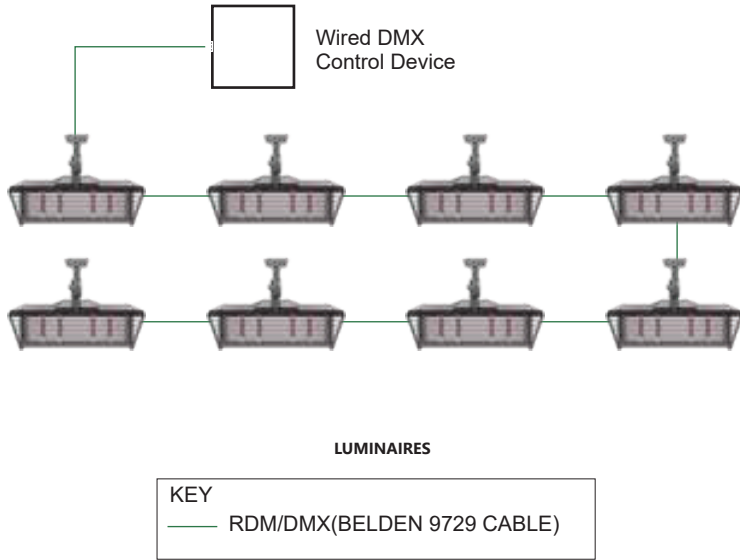


Product Breakdown Diagram

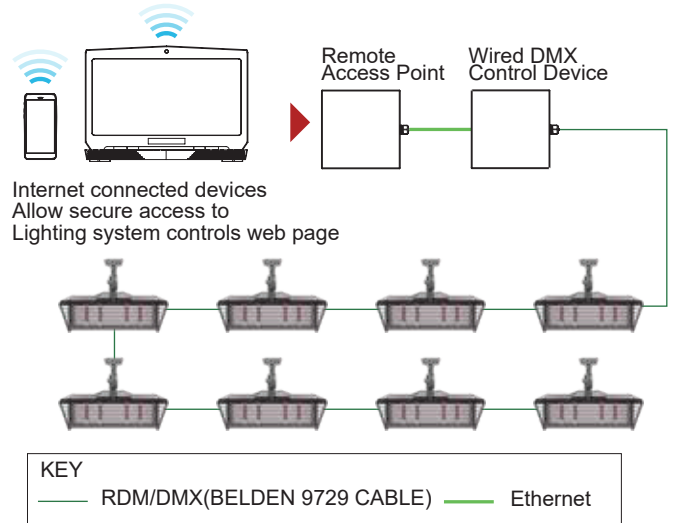


DMX Controls

Example System Topology (Wired DMX Controls)



Example System Topology (Remote Access Point With Wired DMX Controls Vpn gateway to dmx system controls)



Component Details (Retrofit System Upgrade)

- 1 Cross Arm/Support Structure**
Existing support structure is replaced with tier-1 quality support arms (Top Mount or Flood Mount).
- 2 Pole Top Mounting, LED Fixture, & Shield**
OLM® Technology with multifaceted optics and glare control design for precise illumination.
- 3 Safety Wire with Electrical Isolation**
Opto-electrical separation design to reduce material costs.
- 4 Custom Pole Structure**
Pole configured for project-specific application and optimal luminaire positioning.
- 5 Remote Electrical Component Enclosure and Mounting Hardware**
All the driver and electrical components are concentrated in the distribution box, making it convenient for maintenance, saving maintenance costs, and providing higher security.