

IMPORTANT SAFEGUARDS

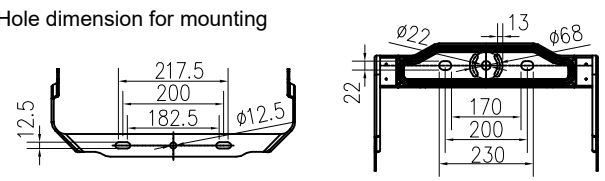
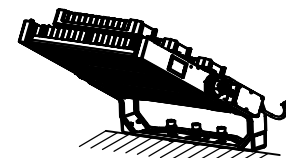
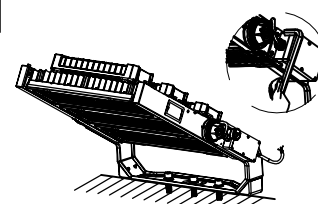
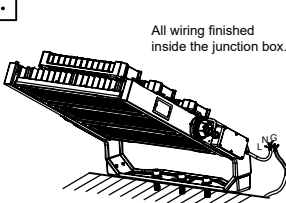
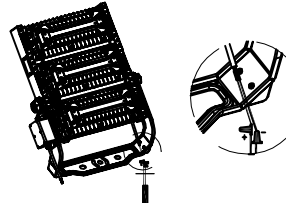
PLEASE FIND A QUALIFIED ELECTRICIAN FOR INSTALLATION. Please read the instructions before you install and use the luminaire. WARNING, CAUTIONS AND OPERATING INSTRUCTIONS

- To reduce the risk of death, personal injury or property damage from fire, electrical shock, falling parts, cuts/abrasions, and other hazards read all warnings and instructions included with and on the fixture box and all fixture labels.
- Before installing, servicing, or performing routine maintenance upon this equipment, follow these general precautions.
- Commercial installation, service and maintenance of luminaires should be performed by a qualified licensed electrician.
- For the installation: If you are unsure about the installation or maintenance of luminaires, consult a qualified licensed electrician and check your local electrical code.
- To prevent wiring damage or abrasion, do not expose wiring to edges of sheet metal or other objects.
- Do not make or alter any holes in an enclosure of wiring or electrical components during kit installation.

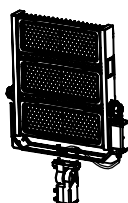
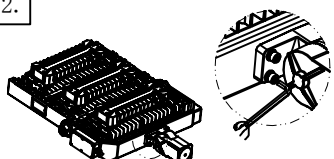
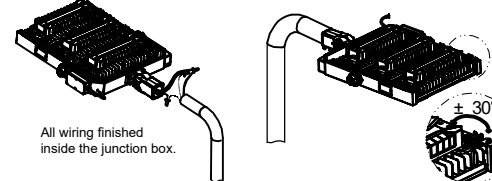
WARNING: RISK OF FIRE OR ELECTRICAL SHOCK

- To avoid damage, falling, electric shock or fire, please do not modify the lamp or replace accessories without confirming with the supplier first.
- Please authorize only qualified personnel to install the lamp and ensure they follow the instruction manual. Any improper installation might cause falling, electric shock, fire, or other injury, damage or hazard.
- Please disconnect power before installation or any maintenance of the lamp.
- Please disconnect power if it begins to smoke or emit odors, since fire or electric shock may occur. Ask a qualified person to inspect and maintain the luminaire.
- Please do not dismantle the lamp without the supplier's authorization.
- Please do not touch the power supply when the lamp is operating.
- If the external flexible cable or cord of the luminaire is damaged, it should only be replaced by the supplier, a service agent or qualified person.
- Terminal block not included. The electrical fitting must be installed by a licensed electrician.
- The light source contained in this luminaire shall only be replaced by the manufacturer or his service agent or a similar qualified person.
- Only to be installed outside arms reach.
- For use in environments where an accumulation of non-conductive dust on the luminaire may be expected.

INSTALLATION 1

<p>Hole dimension for mounting</p>  <p>500 W/750 W/1000 W/1250 W bracket</p>	<p>1.</p>  <p>1. According to the size chart provided on the bracket, the corresponding hole position is opened. Later fix the bracket with M20 Screws.</p>
<p>2.</p>  <p>2. Remove the M16 silicone plug, loosen the screw with an allen key, and rotate to the appropriate mounting angle, later push the M16 Silicone plug.</p>	<p>3.</p>  <p>All wiring finished inside the junction box.</p> <p>3. Wiring, distinguishing between positive and negative poles and grounding wire.</p> <p>4.</p>  <p>4. If dimming is required, take down the cable casing when using the dimming function and connect the dimming cables according to the line mark.</p>

INSTALLATION 2

<p>1.</p>  <p>1. Pass the AC wire through the lamp hold.</p>	<p>2.</p>  <p>2. Fix the lamp head on the straight arm bracket with M8 screws and tighten.</p>	<p>3.</p>  <p>All wiring finished inside the junction box.</p> <p>3. Wiring, distinguish between positive and negative poles and grounding wire, confirm the installation OK, adjust the appropriate angle, the single module can rotate at an angle of +30°.</p>
---	---	---

CAPELLA FLOOD LIGHT



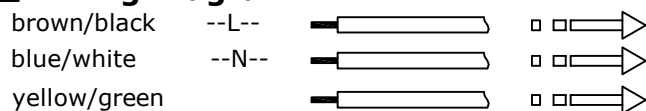
INSTALLATION 3

<p>1.</p>	<p>2.</p> <p>2. Fix the lamp according to the hole opening shown in the drawing.</p>	<p>3.</p> <p>3. Wiring, distinguishing between positive and negative poles and grounding wire. Confirm the installation OK, adjust the appropriate angle, the single module can rotate at an angle of +30°.</p>
-----------	--	---

INSTALLATION 4

<p>1.</p> <p>1. Put a single module on the micro light stand and fix it with screws.</p>	<p>2.</p> <p>2. Fix the micro bracket and use the M12 for the single module screw fixing, tightening.</p>	<p>3.</p> <p>3. Tighten the 6 screws on the lamp holder and fix them on the pole.</p>
--	---	---

Wiring Diagram



label



Matters needing attention:

Installation method 2,3 only applicable to 500W, 750W lamps, installation method 4 only applicable to 250W lamps