

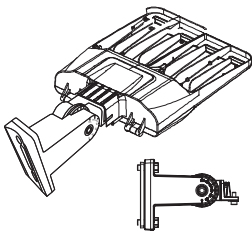
⚠ WARNING:

1. To avoid the risk of fire, explosion or electric shock, this product should be installed, inspected, and maintained by a qualified electrician only, in accordance with all the applicable electrical codes.
2. Be certain that the electrical power is switched off before and during its installation and maintenance.
3. The luminaire must be connected to a wiring system with an equipment-grounding conductor.
4. Make sure the supply voltage is the same as the rated luminaire voltage.
5. Do not install where the marked operating temperatures exceed the ignition temperature of the hazardous atmosphere.
6. Do not operate in ambient temperatures above those indicated on the luminaire nameplate.
7. Keep the lens tightly closed when in operation.
8. For supply connections use wire rated for at least 90° C.

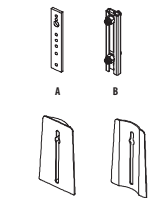
Installation Instructions



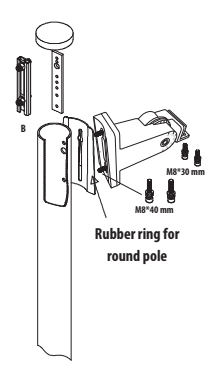
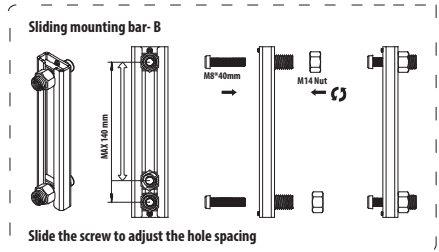
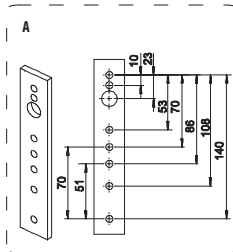
Arm Mount



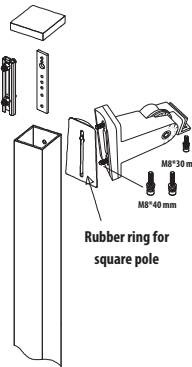
Rubber ring for square pole



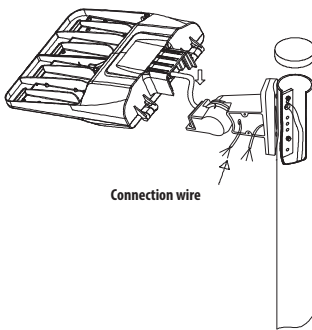
Rubber ring for round pole



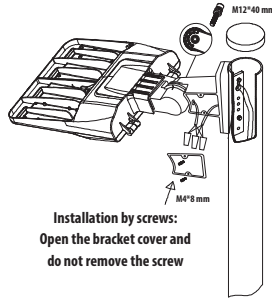
Circular pole mounting (installation)



Square pole mounting (installation)

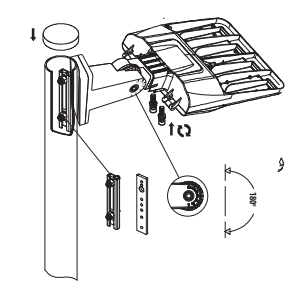


Connection wire



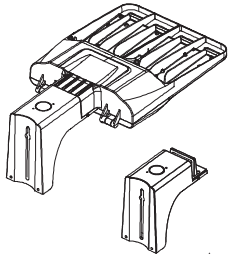
Installation by screws: Open the bracket cover and do not remove the screw

Wiring solution 1

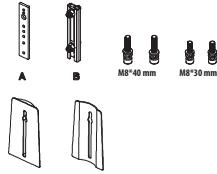


Wiring solution 2

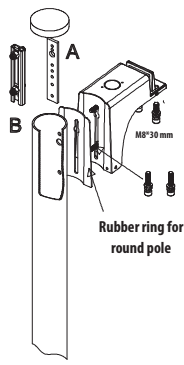
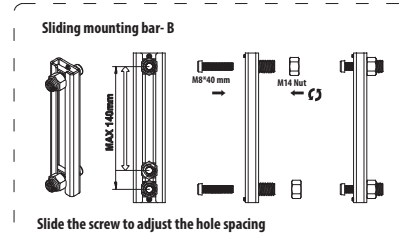
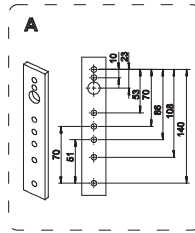
Adapter B - Pole Mount (Square & Round Pole Mount)



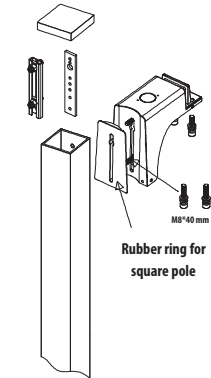
Rubber ring for square pole



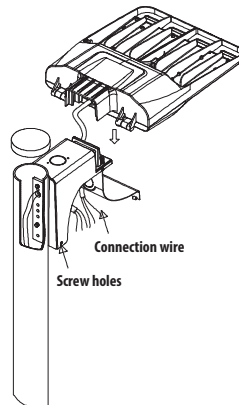
Rubber ring for round pole



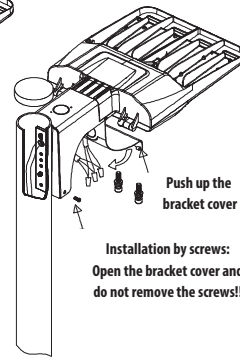
Circle pole mounting (installation)



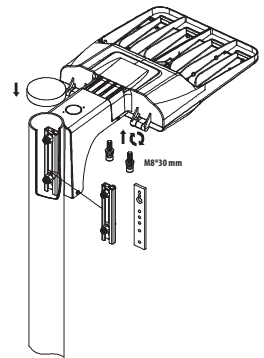
Square pole mounting (installation)



Wiring solution 1

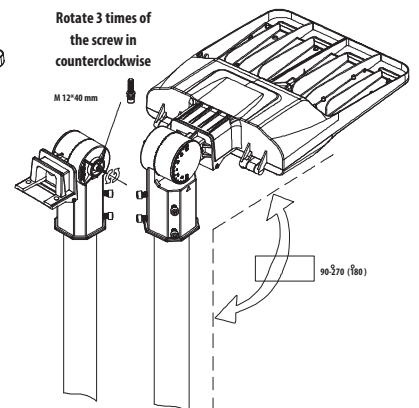
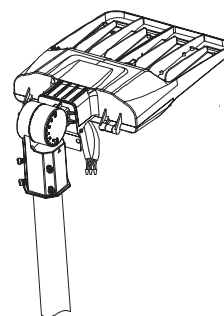
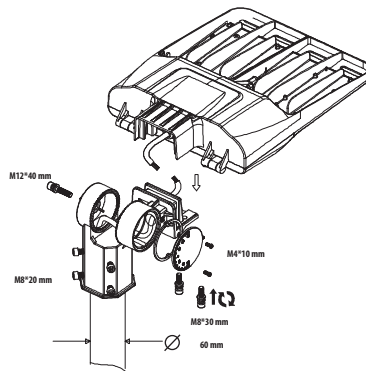
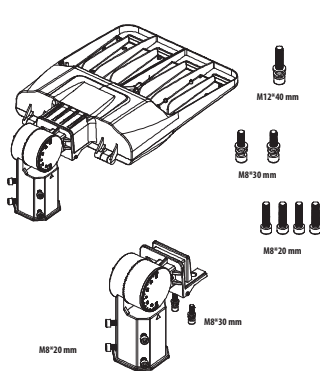


Installation by screws:
Open the bracket cover and do not remove the screws!!



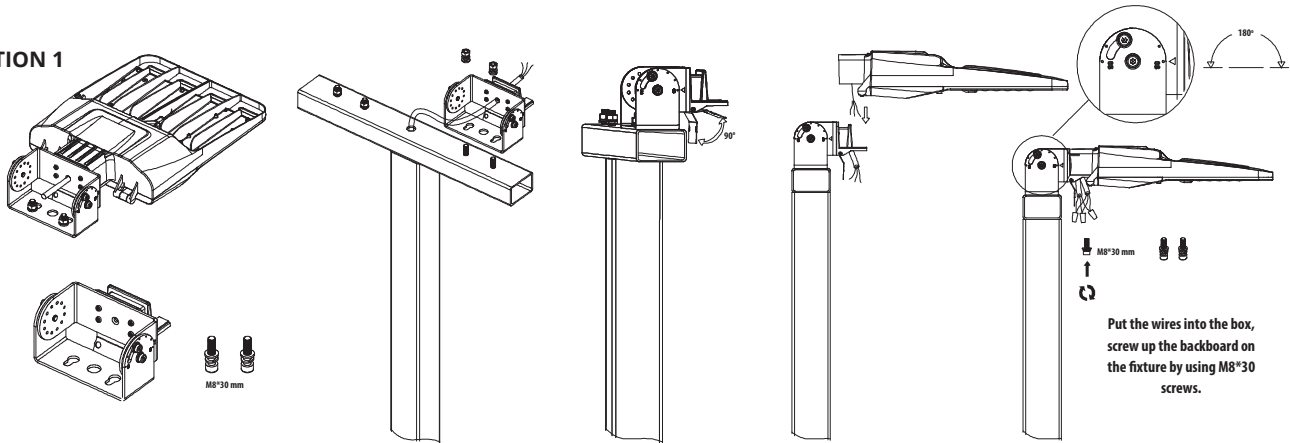
Wiring solution 2

Adapter A - Slip Fitter (Slip Fitter Pole Mount)

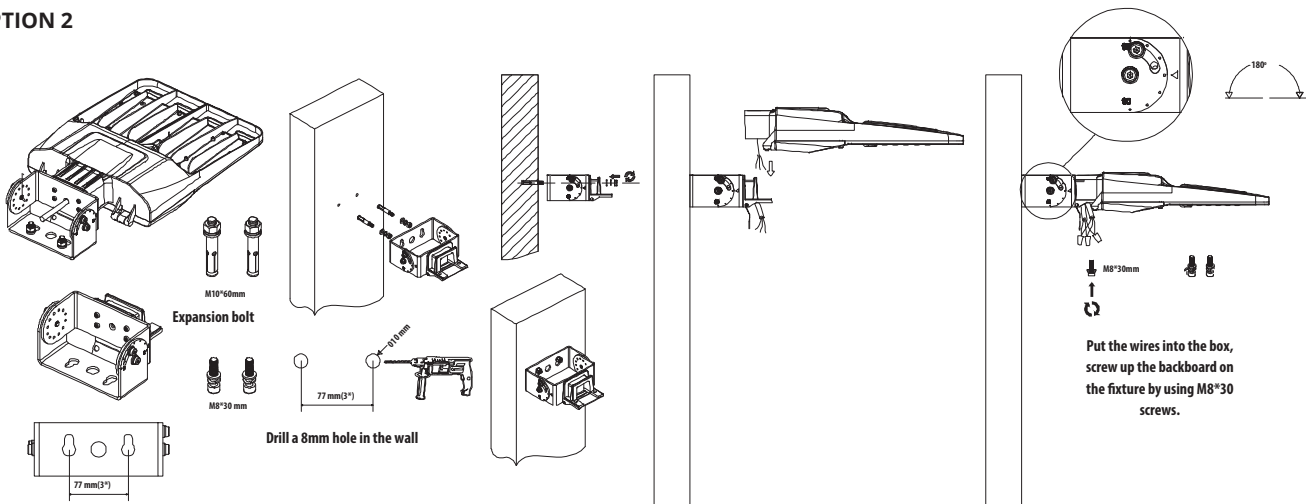


Adapter C - Trunnion (Trunnion T Bar Pole Mount)

OPTION 1

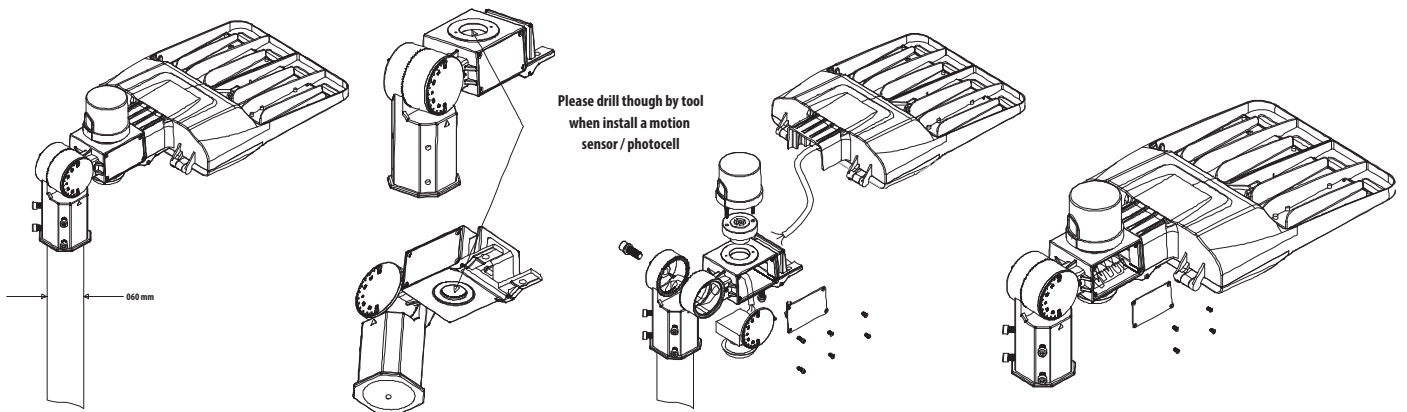


OPTION 2

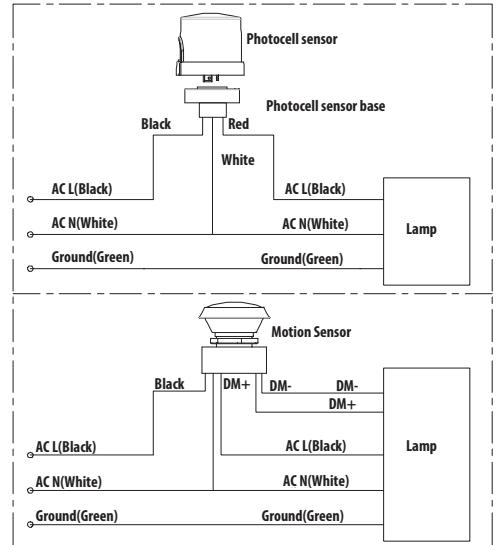
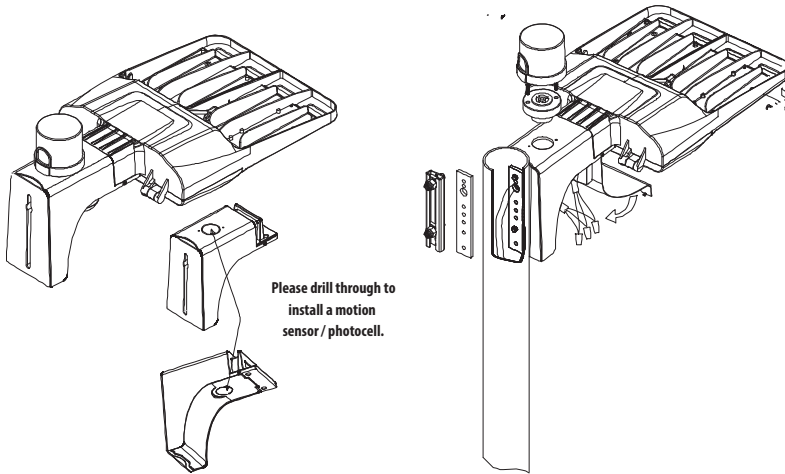


Photocell / Motion Sensor Demonstration Drawing For Installation.

DEMONSTRATION PLAN 1



DEMONSTRATION PLAN 2



After installation, please

1. Check whether the lighting fixture is firmly fixed.
2. Check whether wires are connected correctly.
3. At last, switch on the power, and check if the fixture works well. If not, please switch off the power and contact with local dealer.