

Installation Instructions

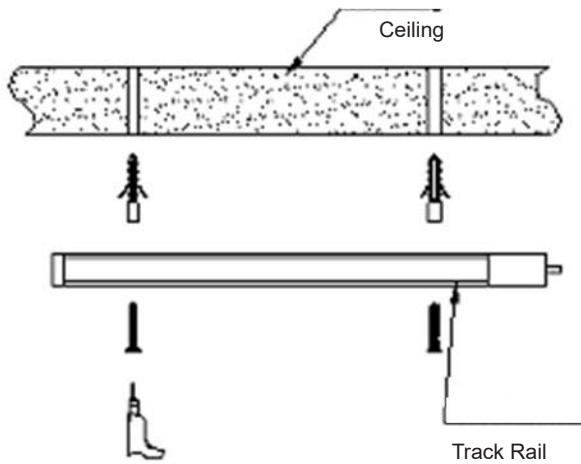
Trang Track Light



Note: Read all instructions carefully before proceeding with the installation process.

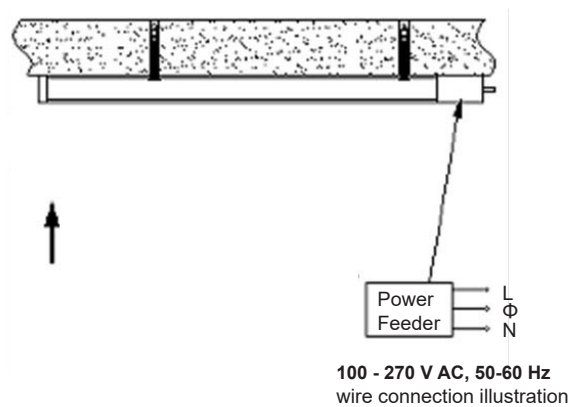
Step 1

Drill two holes into the ceiling, each with a diameter of 5mm. Use the accessories from the packing kit (including screws and PC screws) to fix the track rail to the ceiling.



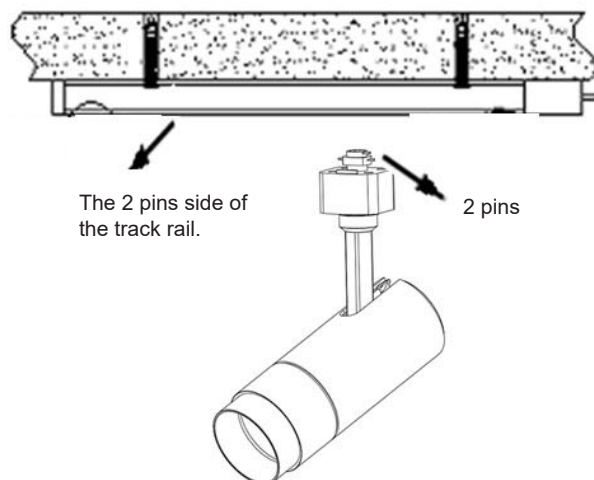
Step 2

Please ensure that the power is off before you begin the wire connection process. Then, carefully connect the electric supply to the "track rail power feeder." This product should only be installed by trained professionals.



Step 3

Insert the track adapter into the track rail and rotate it to secure it in place. Ensure that the two pins on the track adapter are compatible with the two-pin side of the track rail.



Step 4

Turn the power on and check if the luminaire is working. If there are any issues, please recheck the wire connection and confirm that the adapter has been properly installed. If the problem persists, contact our representative for assistance.

