

ITEM SKU#: 662187546728

Spelta Pro Corn Bulb

INDUSTRIAL LIGHTING | RETROFIT LAMPS



FEATURES

- Low energy consumption as compared to traditional bulbs, which makes them environmentally friendly.
- Flicker-free and even light distribution.
- Protection from high voltage surge.
- Superior hollow heat sink for improved heat management.
- Exceptional lumen output and lighting quality.
- Comes with silicone gaskets.

APPLICATIONS

Outside Lighting, Walkway, Lamps.

PRODUCT DETAILS

ELECTRICAL

| | |
|---------------------------------|-----------|
| Power | 100 W |
| Voltage | 100-277 V |
| Current | 1.11 A |
| Power Factor | 0.9 |
| Total Harmonic Distortion (THD) | 15% |

LIGHTING PERFORMANCE

| | |
|--|--------------|
| Lumens | 11900 lm |
| Efficacy | 119 lm/W |
| Color Temperature (CCT) | 3000 K |
| Color Rendering (CRI) | 83.4 |
| R9 (Red Value) | N/A |
| R13 (Skin Tones) | N/A |
| Beam Angle | 360° |
| Light Distribution | -- |
| BUG Rating (Backlight, Uplight, and Glare) | -- |
| Dimmable Lighting Control | Non Dimmable |

ENVIRONMENT

| | |
|--------------------------------|------------------|
| Operating Temperature | -20 °F ~ +140 °F |
| Suitable Location | DAMP |
| Ingress Protection Rating (IP) | IP64 |

LIFESPAN

| | |
|----------------------|----------|
| Average Life (Hours) | 50,000 |
| Warranty (Years) | 5 |

COMPONENTS

| | |
|------------------|----|
| LED Light Source | -- |
| Driver | -- |

CONSTRUCTION

| | |
|---------------------|----------------------------|
| Housing | Aluminum and Polycarbonate |
| Lens | Polycarbonate |
| Base / Power Supply | Hard Wired / E26 or E(X)39 |
| Diffuser | Clear |
| Finish | White |

QUALIFICATIONS

| | |
|--------------|-------------------|
| Model Number | Not Qualified Yet |
| SKU Number | 662187546728 |

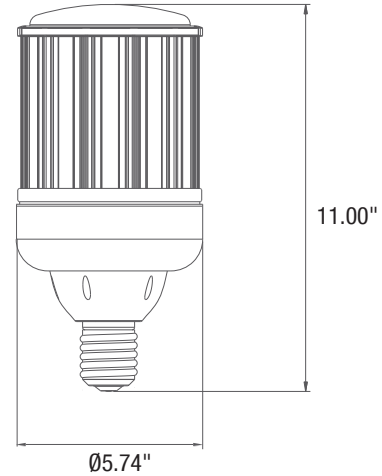


DIMENSIONS AND WEIGHT

| | |
|------------------|--------|
| Height | 11.00" |
| Width / Diameter | Ø5.74" |
| Net Weight (lbs) | -- |

PACKAGING

| | |
|-------------------------|----|
| Box Dimensions (Inches) | -- |
| Box Weight (lbs) | -- |
| Quantity Per Box | -- |



SUPPORTING DOCUMENTS

| | |
|---|---------------------------------|
| Product Sheet | View / Download |
| Installation Instructions | View / Download |
| IES Files | On Request |
| LM79 Files | On Request |
| LM80 Files | On Request |

ORDERING INFORMATION

| ITEM | DESCRIPTION | CASE |
|--------------|---|------|
| 662187546728 | SPELTA PRO CORN BULB: 100 W / 3000 K / 100-277 V / NON DIMMABLE / WHITE | 1 |