

ITEM SKU#: 662187475486

# Superia<sup>®</sup> Linear High Bay

## INDUSTRIAL LIGHTING | LED LINEAR HIGH BAYS

### FEATURES

- Exceptional efficacy.
- Lasts longer than the conventional lighting fixtures.
- Superior heat dissipation capability due to the use of multiple heat sinks.
- Smooth and uniform light output with no flickering or humming.
- Resistant to vibration and water.
- Sleek design and low-profile makes it suitable for a wide range of applications.

### APPLICATIONS

Warehouses, Recreation, Airports, Retail Spaces, Large Cafeterias, Commercial Buildings

### MOUNTING OPTIONS

Designed for suspended or pendant mounting.

### PRODUCT DETAILS

#### ELECTRICAL

Power	200 W
Voltage	100-277 V
Current	1.6178 A
Power Factor	0.95
Total Harmonic Distortion (THD)	20%

#### LIGHTING PERFORMANCE

Lumens	36000 lm
Efficacy	180 lm/W
Color Temperature (CCT)	5000 K
Color Rendering (CRI)	80
R9 (Red Value)	7
R13 (Skin Tones)	--
Beam Angle	120°
Light Distribution	Type VS
BUG Rating ( Backlight, Uplight, and Glare )	--
Dimmable Lighting Control	0-10 V, Range 10% - 100%

#### ENVIRONMENT

Operating Temperature	-10 °F ~ +120 °F
Suitable Location	<b>DAMP</b>
Ingress Protection Rating (IP)	IP40

#### LIFESPAN

Average Life (Hours)	100,000
Warranty (Years)	<b>10</b>

#### COMPONENTS

LED Light Source	Edison Opto 2835
Driver	Meanwell

#### CONSTRUCTION

Housing	Aluminum and Polycarbonate
Lens	--
Base / Power Supply	Hard Wire
Finish	White
Diffuser	Frosted

#### QUALIFICATIONS

Model Number	IK-HBPX-L200-0200-50
SKU Number	662187475486



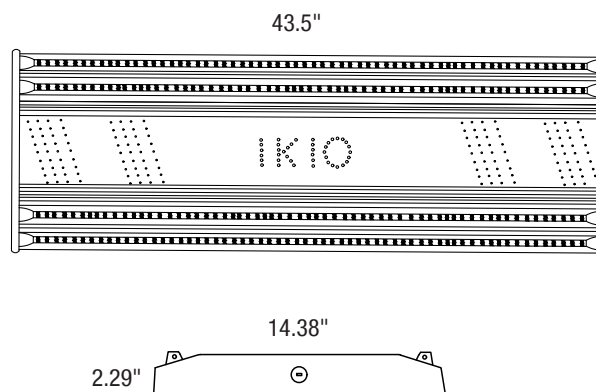
DesignLights Consortium<sup>®</sup> (DLC) Premium qualified product. Not all versions of this product may be DLC qualified. Please check the DLC Qualified Products List at [www.designlights.org/QPL](http://www.designlights.org/QPL) to confirm which versions are qualified.

## DIMENSIONS AND WEIGHT

Length	43.5"
Height	2.29"
Width	14.38"
Net Weight (lbs)	14.82
Chain Length	30.3
Wire Length	30.3

## PACKAGING

Box Dimensions (Inches)	45.07" x 16.7" x 4.9"
Box Weight (lbs)	19.18
Quantity Per Box	1



## SUPPORTING DOCUMENTS

<a href="#">Product Sheet</a>	<a href="#">View / Download</a>
<a href="#">Installation Instructions</a>	<a href="#">View / Download</a>
<a href="#">IES Files</a>	<a href="#">View / Download</a>
<a href="#">LM79 Files</a>	<a href="#">View / Download</a>
<a href="#">LM80 Files</a>	<a href="#">View / Download</a>

## ORDERING INFORMATION (Qualification Model # IK-HBPX-L200-0200-50)

ITEM	DESCRIPTION	CASE
662187475486	SUPERIA LINEAR HIGH BAY: 200 W / 5000 K / 100-277 V / DIMMABLE / WHITE / DLC	1

## ACCESSORIES

XXX-XXX-XXX	WIRE GUARD WITH CLIP	1
XXX-XXX-XXX	BI-LEVEL & DAYLIGHT HARVESTING SENSOR	1
XXX-XXX-XXX	EMERGENCY PACK 15 W / 90 MIN	1
XXX-XXX-XXX	EMERGENCY PACK 25 W / 90 MIN	1

## MOUNTING

XXX-XXX-XXX	AIRCRAFT HANGING CABLE (Included in the basic order)	1
XXX-XXX-XXX	SURFACE MOUNT KIT	1
XXX-XXX-XXX	PENDANT MOUNT KIT	1

## REPLACEMENT PARTS

XXX-XXX-XXX	REPLACEMENT DIFFUSER CLEAR	1
XXX-XXX-XXX	REPLACEMENT DRIVER	1