

ITEM SKU#: 662187560557

Superia[®] Linear High Bay

INDUSTRIAL LIGHTING | LED LINEAR HIGH BAYS

FEATURES

- Exceptional efficacy.
- Lasts longer than the conventional lighting fixtures.
- Superior heat dissipation capability due to the use of multiple heat sinks.
- Smooth and uniform light output with no flickering or humming.
- Resistant to vibration and water.
- Sleek design and low-profile makes it suitable for a wide range of applications.

APPLICATIONS

Warehouses, Recreation, Airports, Retail Spaces, Large Cafeterias, Commercial Buildings

MOUNTING OPTIONS

Designed for suspended or pendant mounting.

PRODUCT DETAILS

ELECTRICAL

Power	200 W
Voltage	100-277 V
Current	1.6178 A
Power Factor	0.95
Total Harmonic Distortion (THD)	20%

LIGHTING PERFORMANCE

Lumens	36000 lm
Efficacy	180 lm/W
Color Temperature (CCT)	5000 K
Color Rendering (CRI)	80
R9 (Red Value)	7
R13 (Skin Tones)	--
Beam Angle	120°
Light Distribution	Type VS
BUG Rating (Backlight, Uplight, and Glare)	--
Dimmable Lighting Control	0-10 V, Range 10% - 100%

ENVIRONMENT

Operating Temperature	-10 °F ~ +120 °F
Suitable Location	DAMP
Ingress Protection Rating (IP)	IP40

LIFESPAN

Average Life (Hours)	100,000
Warranty (Years)	10

COMPONENTS

LED Light Source	Edison Opto 2835
Driver	Meanwell

CONSTRUCTION

Housing	Aluminum and Polycarbonate
Lens	--
Base / Power Supply	Hard Wire
Finish	White
Diffuser	Clear

QUALIFICATIONS

Model Number	IK-HBPX-L200-0200-50
SKU Number	662187560557



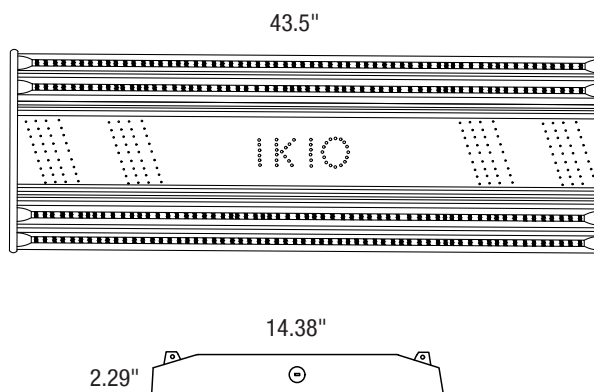
DesignLights Consortium[®] (DLC) Premium qualified product. Not all versions of this product may be DLC qualified. Please check the DLC Qualified Products List at www.designlights.org/QPL to confirm which versions are qualified.

DIMENSIONS AND WEIGHT

Length	43.5"
Height	2.29"
Width	14.38"
Net Weight (lbs)	14.82"
Chain Length	30.3"
Wire Length	30.3"

PACKAGING

Box Dimensions (Inches)	45.07" x 16.7" x 4.9"
Box Weight (lbs)	19.18
Quantity Per Box	1



SUPPORTING DOCUMENTS

Product Sheet	View / Download
Installation Instructions	View / Download
IES Files	View / Download
LM79 Files	View / Download
LM80 Files	View / Download

ORDERING INFORMATION (Qualification Model # IK-HBPX-L200-0200-50)

ITEM	DESCRIPTION	CASE
662187560557	SUPERIA LINEAR HIGH BAY: 200 W / 5000 K / 100-277 V / DIMMABLE / WHITE / DLC	1

ACCESSORIES

XXX-XXX-XXX	WIRE GUARD WITH CLIP	1
XXX-XXX-XXX	BI-LEVEL & DAYLIGHT HARVESTING SENSOR	1
XXX-XXX-XXX	EMERGENCY PACK 15 W / 90 MIN	1
XXX-XXX-XXX	EMERGENCY PACK 25 W / 90 MIN	1

MOUNTING

XXX-XXX-XXX	AIRCRAFT HANGING CABLE (Included in the basic order)	1
XXX-XXX-XXX	SURFACE MOUNT KIT	1
XXX-XXX-XXX	PENDANT MOUNT KIT	1

REPLACEMENT PARTS

XXX-XXX-XXX	REPLACEMENT DIFFUSER CLEAR	1
XXX-XXX-XXX	REPLACEMENT DRIVER	1