



ITEM SKU#: 662187478876

Novus Flood Light

INDUSTRIAL LIGHTING | FLOOD LIGHTS



FEATURES

- CCT & power select functionality ensures flexibility in applications for users.
- High-efficacy luminaire (125 lm/W) with exceptional lumen output to light up the area right.
- Unique design with a strong, extruded lamp body.
- IP65 rating makes it suitable for wet locations.
- Dimming capability gives the user better control of the lighting.
- Solid aluminum housing with excellent heat dissipation.

APPLICATIONS

Outdoor Illumination Needs, Including Parking Lots, Auto Dealerships, Pathways, Roadways, Recreational Venues, and Other General Areas; Can Also be Used as Flood Lights.

PRODUCT DETAILS

ELECTRICAL

Max Power	55 W
Voltage	120-277 V
Current	0.22 A
Power Factor	15 %
Total Harmonic Distortion (THD)	0.9
Surge Protection	4/6 kV

LIGHTING PERFORMANCE

Lumens	1875 lm-3750 lm-6875 lm
Efficacy	125 lm/W
Color Temperature (CCT)	3000 K-4000 K-5000 K
Color Rendering (CRI)	84
R9 (Red Value)	9
R13 (Skin Tones)	2
Beam Angle	30°
Light Distribution	Type I - Very Short
BUG Rating (Backlight, Uplight, and Glare)	B3-U0-G1
Dimmable Lighting Control	Continuous Dimming to 10% or Below

ENVIRONMENT

Operating Temperature	-22 °F ~ +113 °F
Suitable Location	WET
Ingress Protection Rating (IP)	IP65
Impact Protection Rating (IK)	IK08

LIFESPAN

Average Life (Hours)	50,000
Warranty (Years)	5

COMPONENTS

LED Light Source	2835
Driver	BQE60A-130-PVF-Z

CONSTRUCTION

Housing	Die-Cast Aluminum
Cover Material / Lens	UV Stabilized Polycarbonate
Diffuser	Clear
Finish	Bronze
Effective Projected Area (EPA)	0.14 ft ²

PART NUMBER & QUALIFICATIONS

Ordering Part Number	IK-FL05-55W-X-3CCT
Qualified Part Number	IK-FL05-55W-[CS,CSM,CSP]-3CCT
SKU Number	662187478876



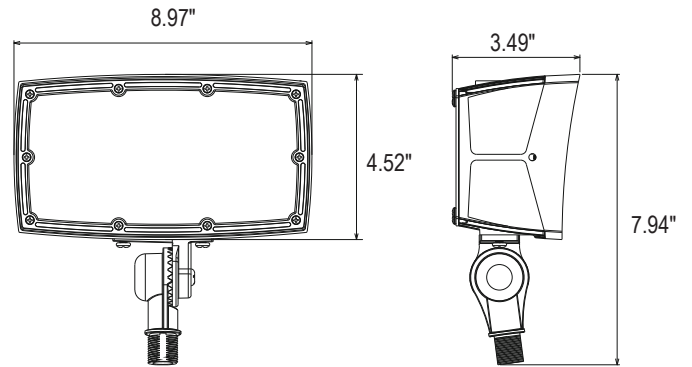
Not all product variations listed on this page are DLC qualified. Visit <https://www.designlights.org/qpl> to confirm qualification.

DIMENSIONS AND WEIGHT

Length (Inches)	8.97"
Width (Inches)	4.52"
Height (Inches)	7.94"
Depth (Inches)	3.49"
Net Weight (lbs)	4.10

PACKAGING

Box Dimensions (Inches)	17.35" x 8.07" x 9.25"
Box Weight (lbs)	18.56
Quantity Per Box	4



SUPPORTING DOCUMENTS

DOCUMENTS	DOCUMENT LINK
Product Sheet	View / Download
IES Files	View / Download
LM80 Report	View / Download
Installation Instructions	View / Download

ORDERING INFORMATION

SKU NUMBER	DESCRIPTION	QUANTITY/BOX
662187478876	NOVUS SFL: 55 W / 1875-3750-6875 LM / 30-40-50 K / 120-277 V / BRONZE	4