

ITEM SKU#: 662187544311

# Dynamo 3 Stadium Flood Light

INDUSTRIAL LIGHTING | STADIUM FLOOD LIGHTS

## FEATURES

- Superior aesthetics with a modern look.
- Excellent heat management system courtesy of multiple vents.
- 240° adjustable angle.
- Multi-faceted optic design to distribute light evenly and reduce glare.
- Resistant to electrical interference due to high quality chip.

## APPLICATIONS

Arenas, gymnasiums, plazas, airports, courtyards and public areas.

## MOUNTING OPTION

- Slip Fitter Mount
- Yoke mount

## PRODUCT DETAILS

### ELECTRICAL

Power	496.5 W
Voltage	277-480 V
Current	5.56 A
Power Factor	0.955
Total Harmonic Distortion (THD)	11.6%
Surge Protection	10 kV

### LIGHTING PERFORMANCE

Lumens	76930.6 lm
Efficacy	154.9 lm/W
Color Temperature (cct)	4500 K
Color Rendering (CRI)	73.5
R9 (Red Value)	-23
R13 (Skin Tones)	74
Beam Angle	30°
Light Distribution	Type VS
BUG Rating ( Backlight, Uplight, and Glare )	B5 - U1 - G1
Dimmable Lighting Control	0-10 V Dimmable



### ENVIRONMENT

Operating Temperature	-22 °F ~ +122 °F
Suitable Location	<b>WET</b>
Ingress Protection Rating (IP)	IP66

### LIFESPAN

Average Life (Hours)	100,000
Warranty (Years)	<b>10</b>

### COMPONENTS

LED Light Source	Luxeon 5050
Driver	INVENTRONICS

### CONSTRUCTION

Housing	Die Cast Aluminum
Lens	PC
Base / Power Supply	Hard Wire
Finish	Black
Effective Projected Area (EPA)	1.59 ft <sup>2</sup>
Wind Shear Rating	116.3 mph

### PART NUMBER & QUALIFICATIONS

Ordering Part Number	IK-SLEL2-0500-DV-45 (30D)
Qualified Part Number	IK-SLEL2-0500-DV-45
SKU Number	662187544311



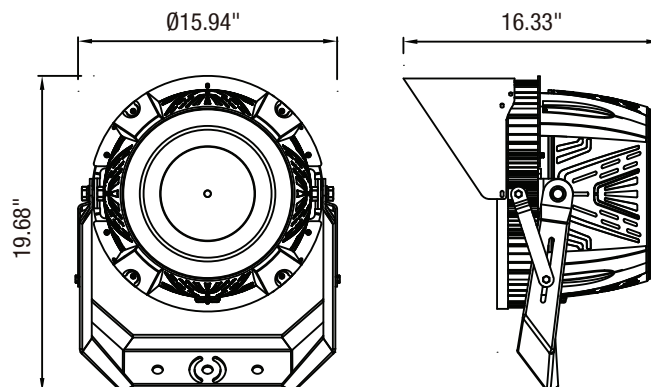
*DesignLights Consortium® (DLC) qualified product (Premium). Not all versions of this product may be DLC qualified. Please check the DLC Qualified Products List at [www.designlights.org/QPL](http://www.designlights.org/QPL) to confirm which versions are qualified.*

## DIMENSIONS AND WEIGHT

Height (With Bracket)	19.68"
Diameter	Ø15.94"
Width	16.33"
Net Weight (lbs)	27.56

## PACKAGING

Box Dimensions (Inches)	17.7" x 17.7" x 14"
Box Weight (lbs)	31.97
Quantity Per Box	1



## SUPPORTING DOCUMENTS

Product Sheet	On Request
Installation Instructions	On Request
IES Files	On Request
LM79 Files	On Request
LM80 Files	On Request

## ORDERING INFORMATION (Qualified Part Number # IK-SLEL2-0500-DV-45)

ITEM	DESCRIPTION	CASE
662187544311	DYNAMO 3 STADIUM FLOOD LIGHT: 496.5 W / 4500 K / 277-480 V / DIMMABLE / BLACK / DLC	1

## ACCESSORIES

662187477060	SHIELD	1
662187476223	LASER AIMING DEVICE	1
662187476483	WIRELESS CONTROLS SYSTEM	1

## MOUNTING OPTION

662187477190	SLIP FITTER MOUNT	1
662187477183	YOKE MOUNT	1