

ITEM SKU#: 662187528489

Dynamo 3 Stadium Flood Light

INDUSTRIAL LIGHTING | STADIUM FLOOD LIGHTS

FEATURES

- Superior aesthetics with a modern look.
- Excellent heat management system courtesy of multiple vents.
- 240° adjustable angle.
- Multi-faceted optic design to distribute light evenly and reduce glare.
- Resistant to electrical interference due to high quality chip.

APPLICATIONS

Arenas, gymnasiums, plazas, airports, courtyards and public areas.

MOUNTING OPTION

- Slip Fitter Mount
- Yoke mount

PRODUCT DETAILS

ELECTRICAL

Power	495.6 W
Voltage	100-277 V
Current	5.56 A
Power Factor	0.952
Total Harmonic Distortion (THD)	9.9%
Surge Protection	10 kV

LIGHTING PERFORMANCE

Lumens	75526.9 lm
Efficacy	152.4 lm/W
Color Temperature (cct)	4000 K
Color Rendering (CRI)	73.5
R9 (Red Value)	-23
R13 (Skin Tones)	74
Beam Angle	30°
Light Distribution	Type VS
BUG Rating (Backlight, Uplight, and Glare)	B5 - U1 - G1
Dimmable Lighting Control	0-10 V Dimmable



ENVIRONMENT

Operating Temperature	-22 °F ~ +122 °F
Suitable Location	WET
Ingress Protection Rating (IP)	IP66

LIFESPAN

Average Life (Hours)	100,000
Warranty (Years)	10

COMPONENTS

LED Light Source	Luxeon 5050
Driver	INVENTRONICS

CONSTRUCTION

Housing	Die Cast Aluminum
Lens	PC
Base / Power Supply	Hard Wire
Finish	Black
Effective Projected Area (EPA)	1.59 ft ²
Wind Shear Rating	116.3 mph

QUALIFICATIONS

Model Number	IK-SLEL2-0500-D-40
SKU Number	662187528489



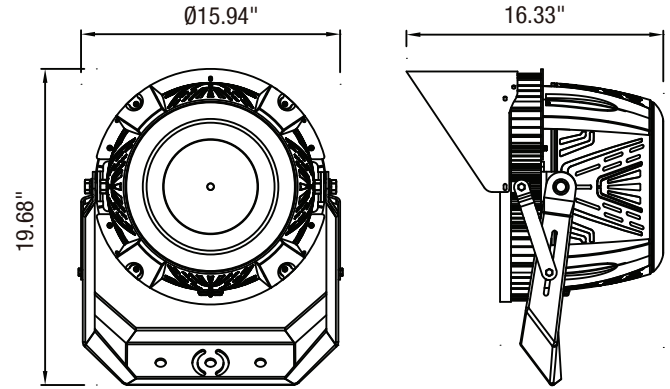
DesignLights Consortium® (DLC) qualified product (Premium). Not all versions of this product may be DLC qualified. Please check the DLC Qualified Products List at www.designlights.org/QPL to confirm which versions are qualified.

DIMENSIONS AND WEIGHT

Height (With Bracket)	19.68"
Diameter	Ø15.94"
Width	16.33"
Net Weight (lbs)	27.56

PACKAGING

Box Dimensions (Inches)	17.7" x 17.7" x 14"
Box Weight (lbs)	31.97
Quantity Per Box	1



SUPPORTING DOCUMENTS

Product Sheet	View / Download
Installation Instructions	View / Download
IES Files	On Request
LM79 Files	View / Download
LM80 Files	On Request

ORDERING INFORMATION (Qualification Model # IK-SLEL2-0500-D-40)

ITEM	DESCRIPTION	CASE
662187528489	DYNAMO 3 STADIUM FLOOD LIGHT: 495.6 W / 4000 K / 100-277 V / DIMMABLE / BLACK / DLC	1

ACCESSORIES

662187477060	SHIELD	1
662187476223	LASER AIMING DEVICE	1
662187476483	WIRELESS CONTROLS SYSTEM	1

MOUNTING OPTION

662187477190	SLIP FITTER MOUNT	1
662187477183	YOKE MOUNT	1