

ITEM SKU#: 662187479705

# Dynamo 3

## Stadium Flood Light

INDUSTRIAL LIGHTING | FLOOD LIGHTS



### FEATURES

- Superior aesthetics with a modern look.
- Excellent heat management system courtesy of multiple vents.
- 240° adjustable angle.
- Multi-faceted optic design to distribute light evenly and reduce glare.
- Resistant to electrical interference due to high quality chip.

### APPLICATIONS

Stadiums, Sports Fields, High Mast Lighting, Light Towers, or Ports.

### PRODUCT DETAILS

#### ELECTRICAL

Power	600 W
Voltage	100-277 V
Current	2.17 A
Power Factor	0.999
Total Harmonic Distortion (THD)	8.9%
Surge Protection	10 kV

#### LIGHTING PERFORMANCE

Lumens	87489.17 lm
Efficacy	145.4 lm/W
Color Temperature (CCT)	5000 K
Color Rendering (CRI)	73.1
R9 (Red Value)	-25
R13 (Skin Tones)	73
Beam Angle	30°
Light Distribution	Type I, Very Short
BUG Rating ( Backlight, Uplight, and Glare )	B5-U3-G2
Dimmable Lighting Control	Continuous Dimming to 10% or Below

#### ENVIRONMENT

Operating Temperature	-22 °F ~ +122 °F
Suitable Location	<b>WET</b>
Ingress Protection Rating (IP)	IP66
Impact Protection Rating (IK)	IK08

#### LIFESPAN

Average Life (Hours)	100,000
Warranty (Years)	<b>10</b>

#### COMPONENTS

LED Light Source	LUMILEDS
Driver	INVENTRONICS

#### CONSTRUCTION

Housing	Die-cast aluminum
Cover Material / Lens	PC
Diffuser	Clear
Base / Power Supply	Hard Wire
Finish	Black
Effective Projected Area (EPA)	1.59 ft²
Wind Shear Rating	127.5 mph

#### PART NUMBER & QUALIFICATIONS

Ordering Part Number	IK-SLEL2-0600-D-50 (30D)
Qualified Part Number	Not Qualified Yet
SKU Number	662187479705



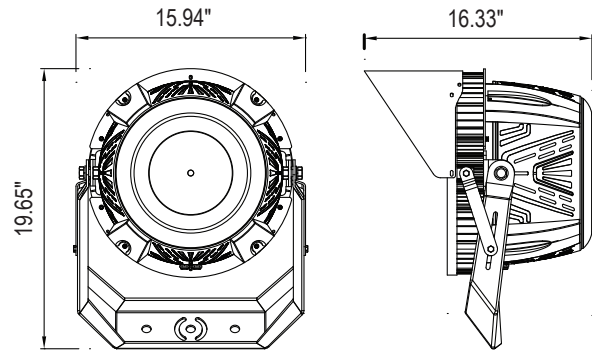
*Note: \*Fixtures mustn't be mounted facing upwards; it won't be covered under warranty.*

## DIMENSIONS AND WEIGHT

Width (Inches)	16.33"
Height (Inches)	19.65"
Diameter (Inches)	15.94"
Net Weight (lbs)	27.55

## PACKAGING

Box Dimensions (Inches)	17.71" x 17.71" x 13.97"
Box Weight (lbs)	31.96
Quantity Per Box	1



## SUPPORTING DOCUMENTS

DOCUMENTS	DOCUMENT LINK
<a href="#">Product Sheet</a>	<a href="#">View / Download</a>
<a href="#">IES Files</a>	<a href="#">View / Download</a>
<a href="#">LM79 Report</a>	<a href="#">View / Download</a>
<a href="#">LM80 Report</a>	<a href="#">View / Download</a>
<a href="#">Installation Instructions</a>	<a href="#">View / Download</a>

## ORDERING INFORMATION

SKU NUMBER	DESCRIPTION	QUANTITY/BOX
662187479705	DYNAMO 3 SFL : 600 W / 87489.17 LM / 5000 K / 100-277 V / BLACK	1

## ACCESSORIES

### INCLUDED IN THE BOX

SKU NUMBER	PRODUCT CODE	DESCRIPTION	DOCUMENT LINK
662187477060	IK-ACC-SHIELD	SHIELD	<a href="#">View / Download</a>
662187477213	IK-ACC-YKMT	YOKE MOUNT KIT	<a href="#">View / Download</a>

### SOLD SEPARATELY

SKU NUMBER	PRODUCT CODE	DESCRIPTION	DOCUMENT LINK
662187477190	IK-ACC-SFMB	SLIP FITTER MOUNTING BRACKET	<a href="#">View / Download</a>
662187478821	IK-ACC-LAD	LASER AIMING DEVICE	<a href="#">View / Download</a>
662187479576	IK-ACC- CNV-SNAP-ANO	SYNAPSE- WIRELESS CONTROL SYSTEM	<a href="#">View / Download</a>