

ITEM SKU#: 662187528540

Dynamo 3

Stadium Flood Light

INDUSTRIAL LIGHTING | FLOOD LIGHTS



FEATURES

- Superior aesthetics with a modern look.
- Excellent heat management system courtesy of multiple vents.
- 240° adjustable angle.
- Multi-faceted optic design to distribute light evenly and reduce glare.
- Resistant to electrical interference due to high quality chip.

APPLICATIONS

Stadiums, Sports Fields, High Mast Lighting, Light Towers, or Ports.

PRODUCT DETAILS

ELECTRICAL

| | |
|---------------------------------|-----------|
| Power | 600 W |
| Voltage | 100-277 V |
| Current | 2.17 A |
| Power Factor | 0.999 |
| Total Harmonic Distortion (THD) | 8.9% |
| Surge Protection | 10 kV |

LIGHTING PERFORMANCE

| | |
|--|------------------------------------|
| Lumens | 86073.06 lm |
| Efficacy | 143.1 lm/W |
| Color Temperature (CCT) | 4000 K |
| Color Rendering (CRI) | 73.1 |
| R9 (Red Value) | -25 |
| R13 (Skin Tones) | 73 |
| Beam Angle | 30° |
| Light Distribution | Type I, Very Short |
| BUG Rating (Backlight, Uplight, and Glare) | B5-U3-G2 |
| Dimmable Lighting Control | Continuous Dimming to 10% or Below |

ENVIRONMENT

| | |
|--------------------------------|------------------|
| Operating Temperature | -22 °F ~ +122 °F |
| Suitable Location | WET |
| Ingress Protection Rating (IP) | IP66 |
| Impact Protection Rating (IK) | IK08 |

LIFESPAN

| | |
|----------------------|-----------|
| Average Life (Hours) | 100,000 |
| Warranty (Years) | 10 |

COMPONENTS

| | |
|------------------|--------------|
| LED Light Source | LUMILEDS |
| Driver | INVENTRONICS |

CONSTRUCTION

| | |
|--------------------------------|----------------------|
| Housing | Die-cast aluminum |
| Cover Material / Lens | PC |
| Diffuser | Clear |
| Base / Power Supply | Hard Wire |
| Finish | Black |
| Effective Projected Area (EPA) | 1.59 ft ² |
| Wind Shear Rating | 127.5 mph |

PART NUMBER & QUALIFICATIONS

| | |
|-----------------------|--------------------------|
| Ordering Part Number | IK-SLEL2-0600-D-40 (30D) |
| Qualified Part Number | Not Qualified Yet |
| SKU Number | 662187528540 |



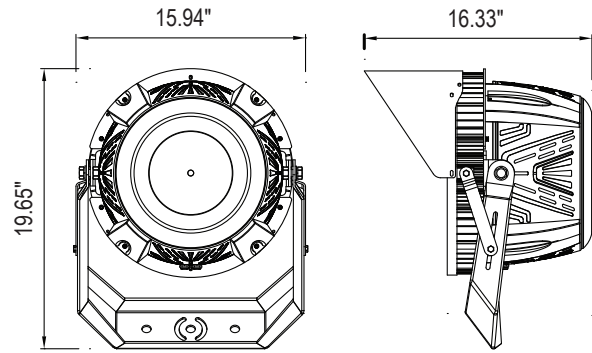
*Note: *Fixtures mustn't be mounted facing upwards; it won't be covered under warranty.*

DIMENSIONS AND WEIGHT

| | |
|-------------------|--------|
| Width (Inches) | 16.33" |
| Height (Inches) | 19.65" |
| Diameter (Inches) | 15.94" |
| Net Weight (lbs) | 27.55 |

PACKAGING

| | |
|-------------------------|--------------------------|
| Box Dimensions (Inches) | 17.71" x 17.71" x 13.97" |
| Box Weight (lbs) | 31.96 |
| Quantity Per Box | 1 |



SUPPORTING DOCUMENTS

| DOCUMENTS | DOCUMENT LINK |
|---|---------------------------------|
| Product Sheet | View / Download |
| IES Files | View / Download |
| LM79 Report | View / Download |
| LM80 Report | View / Download |
| Installation Instructions | View / Download |

ORDERING INFORMATION

| SKU NUMBER | DESCRIPTION | QUANTITY/BOX |
|--------------|---|--------------|
| 662187528540 | DYNAMO 3 SFL : 600 W / 86073.06 LM / 4000 K / 100-277 V / BLACK | 1 |

ACCESSORIES

INCLUDED IN THE BOX

| SKU NUMBER | PRODUCT CODE | DESCRIPTION | DOCUMENT LINK |
|--------------|---------------|----------------|---------------------------------|
| 662187477060 | IK-ACC-SHIELD | SHIELD | View / Download |
| 662187477213 | IK-ACC-YKMT | YOKE MOUNT KIT | View / Download |

SOLD SEPARATELY

| SKU NUMBER | PRODUCT CODE | DESCRIPTION | DOCUMENT LINK |
|--------------|----------------------|----------------------------------|---------------------------------|
| 662187477190 | IK-ACC-SFMB | SLIP FITTER MOUNTING BRACKET | View / Download |
| 662187478821 | IK-ACC-LAD | LASER AIMING DEVICE | View / Download |
| 662187479576 | IK-ACC- CNV-SNAP-ANO | SYNAPSE- WIRELESS CONTROL SYSTEM | View / Download |