

ITEM SKU#: 662187461571

# Dynamo 3

## Stadium Flood Light

INDUSTRIAL LIGHTING | FLOOD LIGHTS



### FEATURES

- Superior aesthetics with a modern look.
- Excellent heat management system courtesy of multiple vents.
- 240° adjustable angle.
- Multi-faceted optic design to distribute light evenly and reduce glare.
- Resistant to electrical interference due to high quality chip.

### APPLICATIONS

Stadiums, Sports Fields, High Mast Lighting, Light Towers, or Ports.

### PRODUCT DETAILS

#### ELECTRICAL

|                                 |           |
|---------------------------------|-----------|
| Power                           | 300.9 W   |
| Voltage                         | 100-277 V |
| Current                         | 1.12 A    |
| Power Factor                    | 0.969     |
| Total Harmonic Distortion (THD) | 9.5 %     |
| Surge Protection                | 10 kV     |

#### LIGHTING PERFORMANCE

|  |                                    |
|--|------------------------------------|
| Lumens                                     | 45851 lm                           |
| Efficacy                                   | 152.4 lm/W                         |
| Color Temperature (CCT)                    | 3000 K                             |
| Color Rendering (CRI)                      | 72                                 |
| R9 (Red Value)                             | -31                                |
| R13 (Skin Tones)                           | 73                                 |
| Beam Angle                                 | 30°                                |
| Light Distribution                         | Type VS                            |
| BUG Rating (Backlight, Uplight, and Glare) | B5-U3-G1                           |
| Dimmable Lighting Control                  | Continuous Dimming to 10% or Below |

#### ENVIRONMENT

|                                |                  |
|--------------------------------|------------------|
| Operating Temperature          | -22 °F ~ +122 °F |
| Suitable Location              | <b>WET</b>       |
| Ingress Protection Rating (IP) | IP66             |
| Impact Protection Rating (IK)  | IK08             |

#### LIFESPAN

|                      |           |
|----------------------|-----------|
| Average Life (Hours) | 100,000   |
| Warranty (Years)     | <b>10</b> |

#### COMPONENTS

|                  |              |
|------------------|--------------|
| LED Light Source | LUMILEDS     |
| Driver           | INVENTRONICS |

#### CONSTRUCTION

|                                |                      |
|--------------------------------|----------------------|
| Housing                        | Die-cast Aluminum    |
| Cover Material / Lens          | Polycarbonate        |
| Diffuser                       | Clear                |
| Base / Power Supply            | Hard Wired           |
| Finish                         | Black                |
| Effective Projected Area (EPA) | 1.59 ft <sup>2</sup> |
| Wind Shear Rating              | 127.5 mph            |

#### PART NUMBER & QUALIFICATIONS

|                       |                          |
|-----------------------|--------------------------|
| Ordering Part Number  | IK-SLEL2-0300-D-30 (30D) |
| Qualified Part Number | IK-SLEL2-0300-D-30       |
| SKU Number            | 662187461571             |



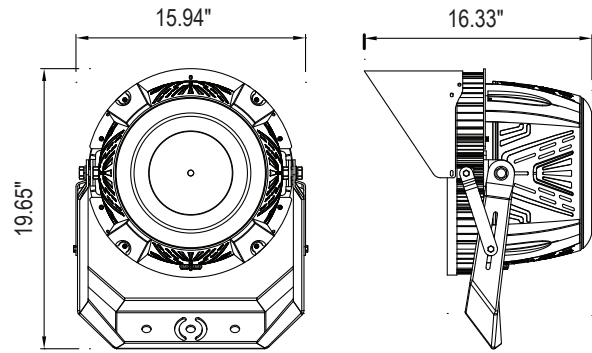
Not all product variations listed on this page are DLC qualified. Visit <https://www.designlights.org/qpl> to confirm qualification.

## DIMENSIONS AND WEIGHT

|                   |        |
|-------------------|--------|
| Width (Inches)    | 16.33" |
| Height (Inches)   | 19.65" |
| Diameter (Inches) | 15.94" |
| Net Weight (lbs)  | 27.55  |

## PACKAGING

|                         |                          |
|-------------------------|--------------------------|
| Box Dimensions (Inches) | 17.71" x 17.71" x 13.97" |
| Box Weight (lbs)        | 31.96                    |
| Quantity Per Box        | 1                        |



## SUPPORTING DOCUMENTS

| DOCUMENTS                                 | DOCUMENT LINK                   |
|---|---------------------------------|
| <a href="#">Product Sheet</a>             | <a href="#">View / Download</a> |
| <a href="#">IES Files</a>                 | <a href="#">View / Download</a> |
| <a href="#">LM79 Report</a>               | <a href="#">View / Download</a> |
| <a href="#">LM80 Report</a>               | <a href="#">View / Download</a> |
| <a href="#">Installation Instructions</a> | <a href="#">View / Download</a> |

## ORDERING INFORMATION

| SKU NUMBER   | DESCRIPTION   | QUANTITY/BOX |
|--------------|---|--------------|
| 662187461571 | DYNAMO 3 SFL: 300.9 W / 45851 LM / 3000 K / 100-277 V / BLACK | 1            |

## ACCESSORIES

### INCLUDED IN THE BOX

| SKU NUMBER   | PRODUCT CODE  | DESCRIPTION    | DOCUMENT LINK                   |
|--------------|---------------|----------------|---------------------------------|
| 662187477060 | IK-ACC-SHIELD | SHIELD         | <a href="#">View / Download</a> |
| 662187477213 | IK-ACC-YKMT   | YOKE MOUNT KIT | <a href="#">View / Download</a> |

### SOLD SEPARATELY

| SKU NUMBER   | PRODUCT CODE         | DESCRIPTION                      | DOCUMENT LINK                   |
|--------------|----------------------|----------------------------------|---------------------------------|
| 662187477190 | IK-ACC-SFMB          | SLIP FITTER MOUNTING BRACKET     | <a href="#">View / Download</a> |
| 662187478821 | IK-ACC-LAD           | LASER AIMING DEVICE              | <a href="#">View / Download</a> |
| 662187479576 | IK-ACC- CNV-SNAP-ANO | SYNAPSE- WIRELESS CONTROL SYSTEM | <a href="#">View / Download</a> |