

ITEM SKU#: 662187480060

# Dynamo 3 Pro Stadium Flood Light

INDUSTRIAL LIGHTING | STADIUM FLOOD LIGHTS



## FEATURES

- Excellent heat management system.
- Cold forging aluminum housing with anti-corrosion polyester powder coated finish.
- High energy savings as compared to traditional stadium lights.
- Special circuit design for each part to work separately.
- Adjustable output current (AOC) with NFC.

## APPLICATIONS

Sports Facilities, Stadiums, Container Loading Areas, Shipping Yards, Airports, Ports

## PRODUCT DETAILS

### ELECTRICAL

Power	1250 W
Voltage	100-277 V
Current	--
Power Factor	0.95
Total Harmonic Distortion (THD)	<15%
Surge Protection	10/20 kV Optional

### LIGHTING PERFORMANCE

Lumens	175000 lm
Efficacy	140 lm/W
Color Temperature (CCT)	5000 K
Color Rendering (CRI)	90
R9 (Red Value)	--
R13 (Skin Tones)	--
Beam Angle	30°
Light Distribution	--
BUG Rating ( Backlight, Uplight, and Glare )	--
Dimmable Lighting Control	--

### ENVIRONMENT

Operating Temperature	-40 °F ~ +122 °F
Suitable Location	<b>WET</b>
Ingress Protection Rating (IP)	IP66
Impact Protection Rating (IK)	IK10

### LIFESPAN

Average Life (Hours)	100,000
Warranty (Years)	<b>10</b>

### COMPONENTS

LED Light Source	Luxeon 5050
Driver	Inventronics/Meanwell

### CONSTRUCTION

Housing	Cold Forging Aluminum
Lens	Anti-UV PC Optical Material
Base / Power Supply	--
Finish	Black
Effective Projected Area (EPA)	1.40 ft <sup>2</sup>
Wind Shear Rating	--

### QUALIFICATIONS

Model Number	Not Qualified Yet
SKU Number	662187480060

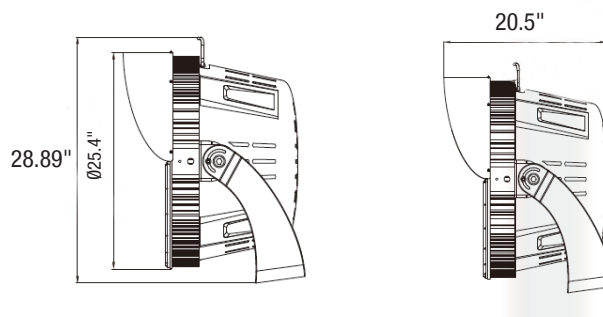


## DIMENSIONS AND WEIGHT

Height (With Bracket)	28.89"
Diameter	Ø25.4"
Width	20.5"
Net Weight (lbs)	55.11

## PACKAGING

Box Dimensions (Inches)	32.5" x 29.7" x 20.9"
Box Weight (lbs)	70.54
Quantity Per Box	--



## SUPPORTING DOCUMENTS

<a href="#">Product Sheet</a>	<a href="#">View / Download</a>
<a href="#">Installation Instructions</a>	<a href="#">View / Download</a>
<a href="#">IES Files</a>	<a href="#">On Request</a>
<a href="#">LM79 Files</a>	<a href="#">On Request</a>
<a href="#">LM80 Files</a>	<a href="#">On Request</a>

## ORDERING INFORMATION

ITEM	DESCRIPTION	CASE
662187480060	DYNAMO 3 PRO STADIUM FLOOD LIGHT: 1250 W / 5000 K / 100-277 V	1