



ITEM SKU#: 662187482064

Delphi

Fuel Pump Canopy Light

INDUSTRIAL LIGHTING | CANOPY LIGHTS



FEATURES

- Low-profile, stylish design with durable powder coat finish.
- CCT & power selectable option ensures flexibility for varied applications.
- Suitable for ambient operating temperature.
- Meets the FCC Part 15, Part B, Class A standards for conducted and radiated emissions.
- Comes with dimming capability (0-10 V).
- Surge-protected and IP65 rated for wet locations.

APPLICATIONS

Gas Stations, Commercial Spaces, Parking Lots, Other Industrial Spaces, Warehouses, and Hospitals.

PRODUCT DETAILS

ELECTRICAL

Power (Selectable)	30 W-40 W-49.8 W
Voltage	120-347 V
Current	0.10 A-0.13 A-0.16 A
Power Factor	0.894
Total Harmonic Distortion (THD)	12.5%
Surge Protection	4 kV

LIGHTING PERFORMANCE

Lumens	3900 lm-4928.4 lm-6135 lm
Efficacy	123.21 lm/W
Color Temperature (Selectable)	3000 K-4000 K-5000 K
Color Rendering (CRI)	74
R9 (Red Value)	-19
R13 (Skin Tones)	73-72-73
Beam Angle	158.3°
Light Distribution	Type I, Very Short
BUG Rating (Backlight, Uplight, and Glare)	B2-U3-G2
Dimmable Lighting Control	Continuous Dimming Above 10%

ENVIRONMENT

Operating Temperature	-40 °F ~ +122 °F
Suitable Location	WET
Ingress Protection Rating (IP)	IP65

LIFESPAN

Average Life (Hours)	50,000
Warranty (Years)	5

COMPONENTS

LED Light Source	Lumileds 2835
Driver	Becky

CONSTRUCTION

Housing	Aluminum
Cover Material / Lens	PC
Finish	Bronze

PART NUMBER & QUALIFICATIONS

Ordering Part Number	IK-CPSL-H-0050W-CS-[S;Blank]-[BR;WH;BK;Blank]
Qualified Part Number	IK-CPSL-H-0050W-CS-[S;Blank]-[BR;WH;BK;Blank]
SKU Number	662187482064



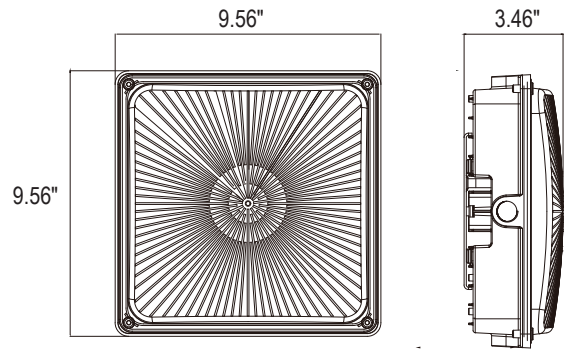
DesignLights Consortium® (DLC) qualified product (Premium). Not all versions of this product may be DLC qualified. Please check the DLC Qualified Products List at www.designlights.org/QPL to confirm which versions are qualified.

DIMENSIONS AND WEIGHT

Length (Inches)	9.56"
Width (Inches)	9.56"
Height (Inches)	3.46"
Net Weight (lbs)	1.43

PACKAGING

Box Dimensions (Inches)	10.23" x 9.84" x 3.74"
Box Weight (lbs)	2.2
Quantity Per Box	1



SUPPORTING DOCUMENTS

DOCUMENTS	DOCUMENT LINK
Product Sheet	View / Download
IES Files	View / Download
LM79 Report	View / Download
LM80 Report	View / Download
Installation Instructions	View / Download

ORDERING INFORMATION

SKU NUMBER	DESCRIPTION	QUANTITY/BOX
662187482064	DELPHI FPCL : 30-40-49.8 W / 3900-4928.4-6135 LM / 30-40-50 K / 120-347 V / BRONZE / DLC	1