

ITEM SKU#: 662187540092

# Locus Gen2 Area Luminaire

INDUSTRIAL LIGHTING | AREA LUMINAIRES



## FEATURES

- Increased flexibility and ease with IKIO's Power Selectable (switch between 75-100-150W) feature.
- Sleek, low-profile design that delivers high-performance illumination and improves application site aesthetics.
- Heavy-duty, die-cast aluminum housing with an efficient heat sink for enhanced thermal performance.
- Designed for Dark Sky compliant performance to eliminate undesirable sky glow.

## APPLICATIONS

Outdoor Illumination Needs, Including Parking Lots, Auto Dealerships, Pathways, Roadways, Recreational Venues, and Other General Area Lighting (Can Also be Used as Flood Lights).

## MOUNTING OPTIONS

- Pole Mount
- Wall Mount

## PRODUCT DETAILS

### ELECTRICAL

Max Power	154.4 W
Voltage	100-277 V
Current	0.56 A
Power Factor	0.96
Total Harmonic Distortion (THD)	9.4%
Surge Protection	6 kV

### LIGHTING PERFORMANCE

Lumens	11902.5 lm-15970 lm-24495 lm
Efficacy	158.7 lm/W
Color Temperature	5000 K
Color Rendering (CRI)	75
R9 (Red Value)	-24
R13 (Skin Tones)	73
Beam Angle	120°
Light Distribution	T3
BUG Rating (Backlight, Uplight, and Glare)	B3-U2-G3
Dimmable Lighting Control	Continuous Dimming to 10% or Below

### ENVIRONMENT

Operating Temperature	-40 °F ~ +131 °F
Suitable Location	<b>WET</b>
Ingress Protection Rating (IP)	IP66
Impact Protection Rating (IK)	IK10

### LIFESPAN

Average Life (Hours)	100,000
Warranty (Years)	<b>10</b>

### COMPONENTS

LED Light Source	Bridgelux
Driver	Inventronics

### CONSTRUCTION

Housing	Aluminum
Cover Material / Lens	Polycarbonate
Base / Power Supply	Hard Wired / Surge Protector
Finish	Bronze
Effective Projected Area (EPA)	0.23 ft²
Wind Shear Rating	117 mph

### PART NUMBER & QUALIFICATIONS

Ordering Part Number	IK-SBSL1-0150-50-DY-RLV01-AI (Bronze T3/ Power Tunable 150/100/75)
Qualified Part Number	IK-SBSL1-075100150-50-DY-RLV01[Blank, -AI]
SKU Number	662187540092



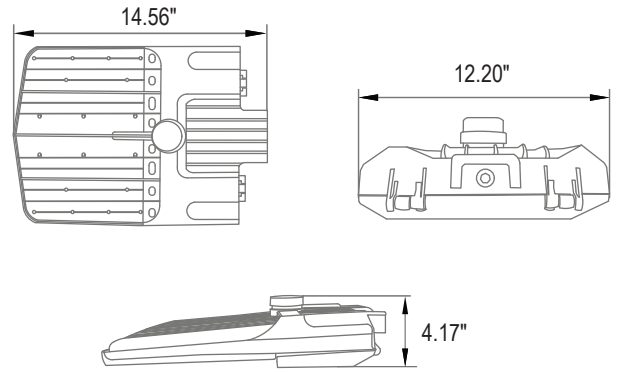
Not all product variations listed on this page are DLC qualified. Visit <https://www.designlights.org/qpl> to confirm qualification.

## DIMENSIONS AND WEIGHT

Length (Inches)	14.56"
Width (Inches)	12.20"
Height (Inches)	4.17"
Net Weight (lbs)	8.81

## PACKAGING

Box Dimensions (Inches)	18.00" x 14.00" x 6.00"
Box Weight (lbs)	10.73
Quantity Per Box	1



## SUPPORTING DOCUMENTS

DOCUMENTS	DOCUMENT LINK
<a href="#">Product Sheet</a>	<a href="#">View / Download</a>
<a href="#">IES Files</a>	<a href="#">View / Download</a>
<a href="#">LM79 Report</a>	<a href="#">View / Download</a>
<a href="#">LM80 Report</a>	<a href="#">View / Download</a>
<a href="#">Installation Instructions</a>	<a href="#">View / Download</a>

## ORDERING INFORMATION

SKU NUMBER	DESCRIPTION	QUANTITY/BOX
662187540092	LOCUS GEN2 AL: 154.4 W / 11902.5-15970-24495 LM / 5000 K / 100-277 V / BRONZE	1

## ACCESSORIES

### SOLD SEPARATELY

SKU NUMBER	PRODUCT CODE	DESCRIPTION	DOCUMENT LINK
662187560120	IK-SBSL/2-S4C-90-480V	SHORTING CAP	<a href="#">View / Download</a>
662187560021	IK-SBSL/2-PHC-90-277V	PHOTOCELL 90-277 V	<a href="#">View / Download</a>
662187549910	IK-SBSL1-SF-A (Bronze)	ARM MOUNTING BRACKET: A - SLIP FITTER (BRONZE)	<a href="#">View / Download</a>
662187549941	IK-SBSL1-SP-B (Bronze)	POLE MOUNTING BRACKET: B - SQUARE & ROUND (BRONZE)	<a href="#">View / Download</a>
662187549972	IK-SBSL1-TR-C (Bronze)	WALL MOUNTING BRACKET: C - TRUNION MOUNT(BRONZE)	<a href="#">View / Download</a>
662187548470	IK-SBSL1-SP-B-(Spacer) Bronze	SPACER (BRONZE)	-

\*Choice of One Accessory: Mounting Bracket (Slip Fitter, Square & Round with Spacer, Trunnion Mount), Shorting Cap or Photocell (either one) is included with the order. Contact your IKIO sales representative to buy a replacement/additional Mounting Bracket.

\*Product requires top-mounted shorting cap or optional twist-lock photocell installed to operate.