

ITEM SKU#: 662187488004

Locus Gen2 Area Luminaire

INDUSTRIAL LIGHTING | AREA LUMINAIRES



FEATURES

- Increased flexibility and ease with IKIO's Power Selectable (switch between 200-240-300 W) feature.
- Sleek, low-profile design that delivers high-performance illumination and improves application site aesthetics.
- Heavy-duty, die-cast aluminum housing with an efficient heat sink for enhanced thermal performance.
- Designed for Dark Sky compliant performance to eliminate undesirable sky glow.

APPLICATIONS

Outdoor Illumination Needs, Including Parking Lots, Auto Dealerships, Pathways, Roadways, Recreational Venues, and Other General Area Lighting (Can Also be Used as Flood Lights).

MOUNTING OPTIONS

- Pole Mount
- Wall Mount

PRODUCT DETAILS

ELECTRICAL

Max Power	302.5 W
Voltage	100-277 V
Current	0.65 A
Power Factor	0.96
Total Harmonic Distortion (THD)	9.8%
Surge Protection	6 kV

LIGHTING PERFORMANCE

Lumens	32240 lm-38688 lm-48780 lm
Efficacy	161.2 lm/W
Color Temperature	5000 K
Color Rendering (CRI)	75
R9 (Red Value)	-25
R13 (Skin Tones)	73
Beam Angle	120°
Light Distribution	T3
BUG Rating (Backlight, Uplight, and Glare)	B5-U3-G5
Dimmable Lighting Control	Continuous Dimming to 10% or Below

ENVIRONMENT

Operating Temperature	-40 °F ~ +131 °F
Suitable Location	WET
Ingress Protection Rating (IP)	IP66
Impact Protection Rating (IK)	IK10

LIFESPAN

Average Life (Hours)	100,000
Warranty (Years)	10

COMPONENTS

LED Light Source	Bridgelux
Driver	Inventronics

CONSTRUCTION

Housing	Aluminum
Cover Material / Lens	Polycarbonate
Base / Power Supply	Hard Wired / Surge Protector
Finish	White
Effective Projected Area (EPA)	0.42 ft ²
Wind Shear Rating	117 mph

PART NUMBER & QUALIFICATIONS

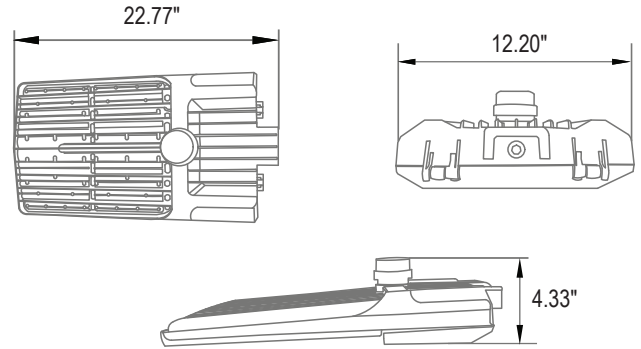
Ordering Part Number	IK-SBSL1-0300-50-DY-RLV02-AI (White T3/Power Tunable 300/240/200)
Qualified Part Number	IK-SBSL1-200240300-50-DY-RLV02[Blank, -AI]
SKU Number	662187488004



Not all product variations listed on this page are DLC qualified. Visit <https://www.designlights.org/qpl> to confirm qualification.

DIMENSIONS AND WEIGHT

Length (Inches)	22.77"
Width (Inches)	12.20"
Height (Inches)	4.33"
Net Weight (lbs)	14.29



PACKAGING

Box Dimensions (Inches)	26" x 14" x 6"
Box Weight (lbs)	16.41
Quantity Per Box	1

SUPPORTING DOCUMENTS

DOCUMENTS	DOCUMENT LINK
Product Sheet	View / Download
IES Files	View / Download
LM79 Report	View / Download
LM80 Report	View / Download
Installation Instructions	View / Download

ORDERING INFORMATION

SKU NUMBER	DESCRIPTION	QUANTITY/BOX
662187488004	LOCUS GEN2 AL: 302.5 W / 32240-38688-48780 LM / 5000 K / 100-277 V / WHITE	1

ACCESSORIES

SOLD SEPARATELY

SKU NUMBER	PRODUCT CODE	DESCRIPTION	DOCUMENT LINK
662187560120	IK-SBSL/2-S4C-90-480V	SHORTING CAP	View / Download
662187560021	IK-SBSL/2-PHC-90-277V	PHOTOCELL 90-277 V	View / Download
662187549934	IK-SBSL1-SF-A (White)	ARM MOUNTING BRACKET: A - SLIP FITTER (WHITE)	View / Download
662187549965	IK-SBSL1-SP-B (White)	POLE MOUNTING BRACKET: B - SQUARE & ROUND (WHITE)	View / Download
662187549996	IK-SBSL1-TR-C (White)	WALL MOUNTING BRACKET: C - TRUNION MOUNT (WHITE)	View / Download
662187481999	IK-SBSL1-SP-B-(Spacer) White	SPACER (WHITE)	-

*Choice of One Accessory: Mounting Bracket (Slip Fitter, Square & Round with Spacer, Trunnion Mount), Shorting Cap or Photocell (either one) is included with the order. Contact your IKIO sales representative to buy a replacement/additional Mounting Bracket.

*Product requires top-mounted shorting cap or optional twist-lock photocell installed to operate.