

ITEM SKU#: 662187478104

# LOCUS Area Luminaire

INDUSTRIAL LIGHTING | AREA LUMINAIRES



## FEATURES

- Compact, low-profile design delivers high-performance illumination and improves application site aesthetics.
- Heavy-duty, die-cast aluminum housing with an efficient heat sink for enhanced heat dissipation.
- Designed for Dark Sky compliant performance, eliminating undesirable sky glow.
- Easy 1 person installation with our quick mount bracket and hinged door frame; installer can be hands free when establishing electrical connections.

## APPLICATIONS

Outdoor Illumination Needs, Including Parking Lots, Auto Dealerships, Pathways, Roadways, Recreational Venues, and Other General Area Lighting; Can Also be Used as Flood Lights.

## MOUNTING OPTIONS

- Pole Mount
- Wall Mount

## PRODUCT DETAILS

### ELECTRICAL

Power	94.2 W
Voltage	100-277 V
Current	0.35 A
Power Factor	0.964
Total Harmonic Distortion (THD)	6.6%
Surge Protection	6 kV

### LIGHTING PERFORMANCE

Lumens	13323 lm
Efficacy	141.44 lm/W
Color Temperature (CCT)	5000 K
Color Rendering (CRI)	73
R9 (Red Value)	-22
R13 (Skin Tones)	73
Beam Angle	137.9°
Light Distribution	T3
BUG Rating ( Backlight, Uplight, and Glare )	B3-U1-G2
Dimmable Lighting Control	Continuous Dimming to 10% or Below

### ENVIRONMENT

Operating Temperature	-40 °F ~ +131 °F
Suitable Location	<b>WET</b>
Ingress Protection Rating (IP)	IP66
Impact Protection Rating (IK)	IK10

### LIFESPAN

Average Life (Hours)	100,000
Warranty (Years)	<b>10</b>

### COMPONENTS

LED Light Source	Bridgelux
Driver	Inventronics

### CONSTRUCTION

Housing	Aluminum
Cover Material / Lens	Polycarbonate
Base / Power Supply	Hard Wired / Surge Protector
Finish	White
Effective Projected Area (EPA)	0.23 ft <sup>2</sup>
Wind Shear Rating	117 mph

### PART NUMBER & QUALIFICATIONS

Ordering Part Number	IK-SBSL1-0100-50-DY-RLV01[Blank, -AI] (White T3)
Qualified Part Number	IK-SBSL1-0100-50-DY-RLV01[Blank, -AI]
SKU Number	662187478104



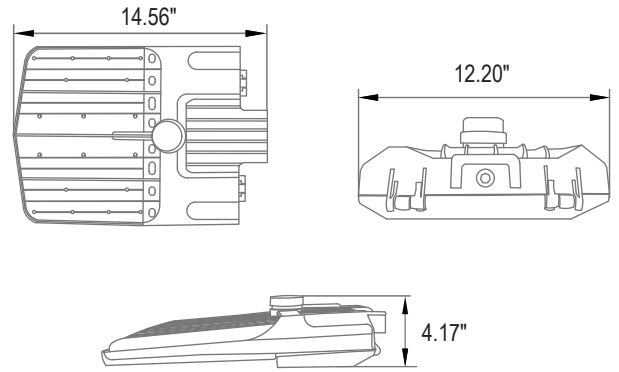
Not all product variations listed on this page are DLC qualified. Visit <https://www.designlights.org/qpl> to confirm qualification.

## DIMENSIONS AND WEIGHT

Length (Inches)	14.56"
Width (Inches)	12.20"
Height (Inches)	4.17"
Net Weight (lbs)	8.81

## PACKAGING

Box Dimensions (Inches)	18.00" x 14.00" x 6.00"
Box Weight (lbs)	10.73
Quantity Per Box	1



## SUPPORTING DOCUMENTS

DOCUMENTS	DOCUMENT LINK
<a href="#">Product Sheet</a>	<a href="#">View / Download</a>
<a href="#">IES Files</a>	<a href="#">View / Download</a>
<a href="#">LM79 Report</a>	<a href="#">View / Download</a>
<a href="#">LM80 Report</a>	<a href="#">View / Download</a>
<a href="#">Installation Instructions</a>	<a href="#">View / Download</a>

## ORDERING INFORMATION

SKU NUMBER	DESCRIPTION	QUANTITY/BOX
662187478104	LOCUS AREA LUMINAIRE : 94.2 W / 13323 LM / 5000 K / 100-277 V / WHITE	1

## ACCESSORIES

### SOLD SEPARATELY

SKU NUMBER	PRODUCT CODE	DESCRIPTION	DOCUMENT LINK
662187560120	IK-SBSL/2-S4C-90-480V	Shorting Cap	<a href="#">View / Download</a>
662187560021	IK-SBSL/2-PHC-90-277V	Photocell 90-277 V	<a href="#">View / Download</a>
662187560106	IK-SBSL/2-PHC-200-480V	Photocell 200-480 V	<a href="#">View / Download</a>
662187477657	S618-P-DR : PIR Sensor	PIR Sensor with 0–10 V Dimming	<a href="#">View / Download</a>
662187549934	IK-SBSL1-SF-A (White)	Mounting Bracket: A - Slip Fitter (White)	<a href="#">View / Download</a>
662187549965	IK-SBSL1-SP-B (White)	Mounting Bracket: B - Square & Round (White)	<a href="#">View / Download</a>
662187549996	IK-SBSL1-TR-C (White)	Mounting Bracket: C - Trunnion (White)	<a href="#">View / Download</a>
662187481999	IK-SBSL1-SP-B-(Spacer) White	Spacer (White)	-

\*Choice of one accessory: Mounting Bracket (Slip Fitter, Square & Round with Spacer, Trunnion Mount), Shorting Cap or Photocell (either one) is included with the order. Contact your IKIO sales representative to buy replacement/additional Mounting Bracket.

\*Product requires top-mounted shorting cap or optional twist-lock photocell installed to operate.