

ITEM SKU#: 662187478241

# Sigma T8 Emergency

## Tubes Type B

COMMERCIAL LIGHTING | LED TUBES

### FEATURES

- Incorporates a charging light indicator.
- Emergency and standard fluorescent ballasts can be removed.
- MCU System : With self-test function it can test itself monthly/yearly.
- Exceptional efficacy up to 147 lm/W.
- Unique design with a perfectly uniform visual appearance.

### APPLICATIONS

Offices, Schools, Retail Stores, General Areas,  
Residential Spaces, Lobbies

### PRODUCT DETAILS

#### ELECTRICAL

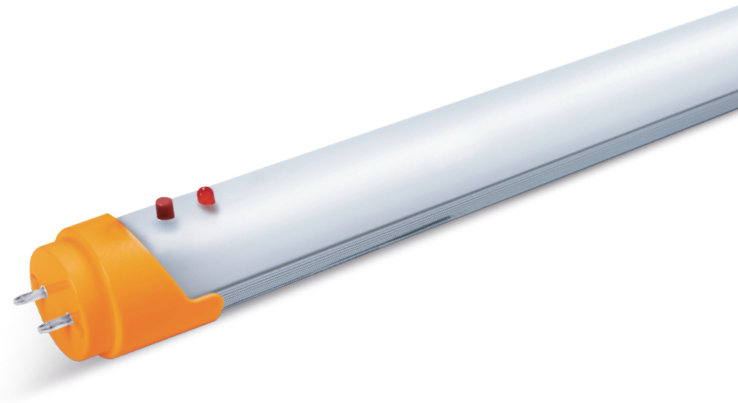
Power	15 W
Voltage	120-277 V
Current	0.05 A
Power Factor	0.9
Total Harmonic Distortion (THD)	20%

#### LIGHTING PERFORMANCE

Lumens	2100 lm
Efficacy	140 lm/W
Color Temperature (CCT)	4000 K
Color Rendering (CRI)	83
R9 (Red Value)	10
R13 (Skin Tones)	83
Beam Angle	138°
Dimmable Lighting Control	Continuous Dimming to 10% or Below

#### EMERGENCY BACKUP

Emergency Power	4.5 W
Emergency Lumens	680 lm
Time	90 Minutes
Lithium Battery	16 V, 600 mAh



#### ENVIRONMENT

Operating Temperature	-32 °F ~ +40 °F
Suitable Location	<b>DAMP</b>
Ingress Protection Rating (IP)	IP20
Suitable Fixture Type	Existing T8 Fixture with G13 Socket

#### LIFESPAN

Average Life (Hours)	50,000
Warranty (Years)	<b>5</b>

#### COMPONENTS

LED Light Source	Lumileds 2835R
Driver	Internal Driver/Line Voltage

#### CONSTRUCTION

Housing	Extruded Aluminum
Cover Material / Lens	Polycarbonate
Diffuser	Frosted
Base / Power Supply	G13, Single End Power Input
Finish	White

#### PART NUMBER & QUALIFICATIONS

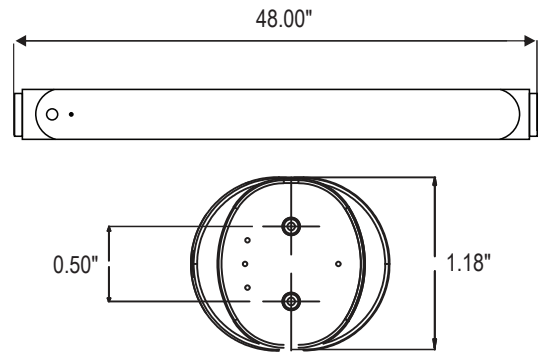
Ordering Part Number	IK-T804-0015(EM)[1;2]-40B
Qualified Part Number	IK-T804-0015(EM)[1;2]-40B
SKU Number	662187478241



Not all product variations listed on this page are DLC qualified. Visit <https://www.designlights.org/qpl> to confirm qualification.

**DIMENSIONS AND WEIGHT**

Length (Inches)	48"
Diameter (Inches)	1.18"
Height (Between End Cap Pins) (Inches)	0.50"
Net Weight (lbs)	1.10



**PACKAGING**

Box Dimensions (Inches)	51.65" x 7.95" x 8.89"
Box Weight (lbs)	46.29
Quantity Per Box	25

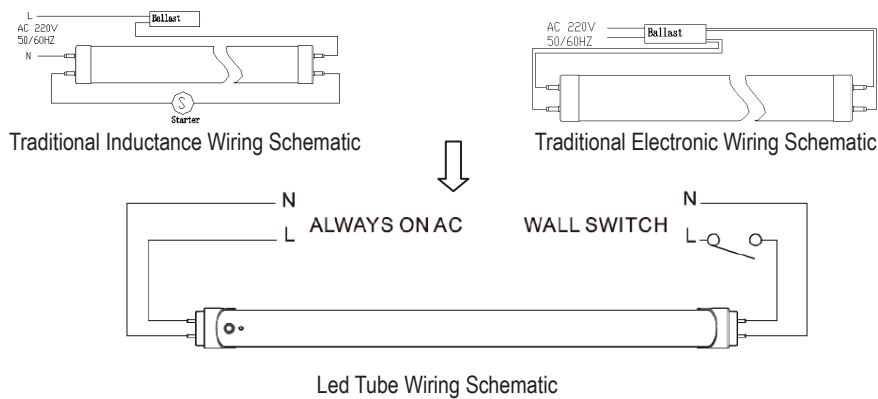
**SUPPORTING DOCUMENTS**

DOCUMENTS	DOCUMENT LINK
<a href="#">Product Sheet</a>	<a href="#">View / Download</a>
<a href="#">IES Files</a>	<a href="#">View / Download</a>
<a href="#">LM79 Report</a>	<a href="#">View / Download</a>
<a href="#">LM80 Report</a>	<a href="#">View / Download</a>
<a href="#">Installation Instructions</a>	<a href="#">View / Download</a>

**ORDERING INFORMATION**

SKU NUMBER	DESCRIPTION	QUANTITY/BOX
662187478241	SIGMA T8 EM TYPE B : 4FT / 15 W / 2100 LM / 4000 K / 120-277 V / WHITE / DLC	25

**BASIC WIRING DIAGRAM:**



**ADDITIONAL INFORMATION:**

- In direct wire application, shunted sockets use double ended wiring only and non-shunted can use either single or double ended wiring. Please refer to installation instructions for further details.
- IKIO Direct-Wire (UL Type B) Lamps are designed for use with IKIO LED-Ready fixtures (follow lamp wiring instructions). When using any alternate-brand fixture, please review the specific IKIO lamp installation guide wiring requirements first to make sure the fixture is compatible before lamp installation.