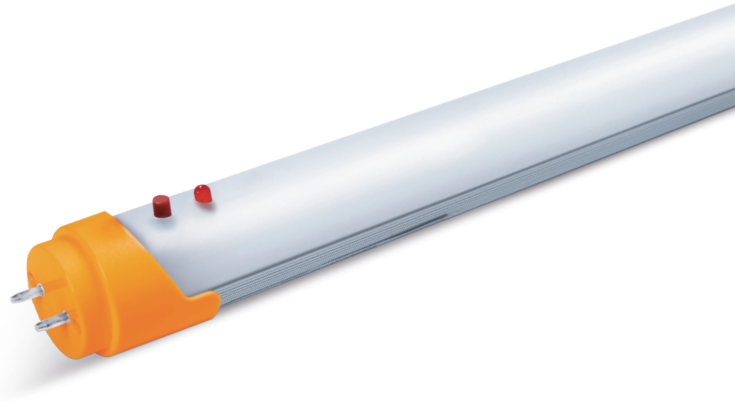


ITEM SKU#: 662187539966

Sigma Emergency Tubes Type B

COMMERCIAL LIGHTING | LED TUBES



FEATURES

- Incorporates a charging light indicator.
- Emergency and standard fluorescent ballasts can be removed.
- MCU System : With self-test function it can test itself monthly/yearly.
- Exceptional efficacy up to 147 lm/W.
- Unique design with a perfectly uniform visual appearance.

APPLICATIONS

Offices, Schools, Retail Stores, General Areas,
Residential Spaces, Lobbies

PRODUCT DETAILS

ELECTRICAL

Power	15 W
Voltage	120-277 V
Current	0.05 A
Power Factor	0.9
Total Harmonic Distortion (THD)	20%

LIGHTING PERFORMANCE

Lumens	2200 lm
Efficacy	146.67 lm/W
Color Temperature (CCT)	5000 K
Color Rendering (CRI)	83
R9 (Red Value)	10
R13 (Skin Tones)	83.6
Beam Angle	138°
Light Distribution	Type VS
Dimmable Lighting Control	Non Dimmable

EMERGENCY BACKUP

Emergency Power	2.5 W
Emergency Lumens	380 lm
Time	90 Minutes
Lithium Battery	9.6 V, 600 mAh

ENVIRONMENT

Operating Temperature	-4 °F ~ +104 °F
Suitable Location	DAMP
Ingress Protection Rating (IP)	IP20
Suitable Fixture Type	Existing T8 Fixture with G13 Socket

LIFESPAN

Average Life (Hours)	50,000
Warranty (Years)	5 (Extendable up to 10 years)

COMPONENTS

LED Light Source	Lumileds 2835R
Driver	Internal Driver/Line Voltage

CONSTRUCTION

Housing	Extruded Aluminum
Cover Material / Lens	Polycarbonate
Diffuser	Frosted
Base / Power Supply	G13, Single End Power Input
Finish	White

PART NUMBER & QUALIFICATIONS

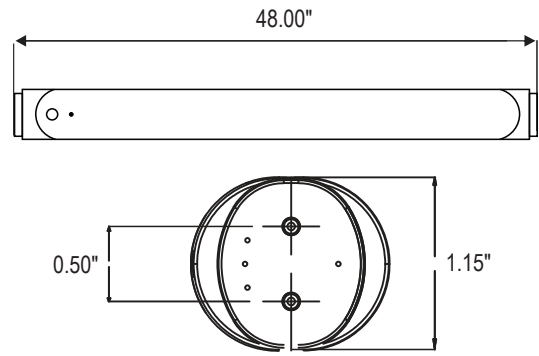
Ordering Part Number	IK-T804-0015(EM)[1;2]-50B
Qualified Part Number	IK-T804-0015(EM)[1;2]-50B
SKU Number	662187539966



DesignLights Consortium® (DLC) qualified product (Premium). Not all versions of this product may be DLC qualified. Please check the DLC Qualified Products List at www.designlights.org/QPL to confirm which versions are qualified.

DIMENSIONS AND WEIGHT

Length (Inches)	48"
Diameter (Inches)	1.15"
Height (Between End Cap Pins) (Inches)	0.50"
Net Weight (lbs)	1.10



PACKAGING

Box Dimensions (Inches)	51.65" x 7.95" x 8.89"
Box Weight (lbs)	46.29
Quantity Per Box	25

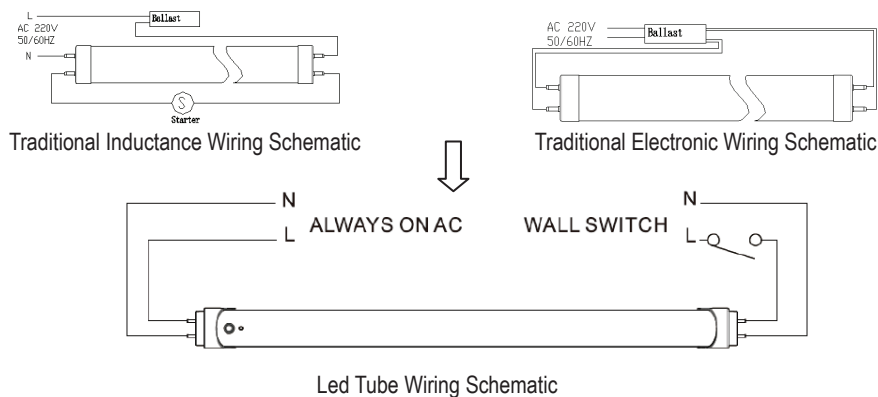
SUPPORTING DOCUMENTS

DOCUMENTS	DOCUMENT LINK
Product Sheet	View / Download
IES Files	View / Download
LM79 Report	View / Download
LM80 Report	View / Download
Installation Instructions	View / Download

ORDERING INFORMATION

SKU NUMBER	DESCRIPTION	QUANTITY/BOX
662187539966	SIGMA EMERGENCY TUBE TYPE B : 15 W / 4FT / 2200 LM / 5000 K / 120-277 V / WHITE	25

BASIC WIRING DIAGRAM:



ADDITIONAL INFORMATION:

- In direct wire application, shunted sockets use double ended wiring only and non-shunted can use either single or double ended wiring. Please refer to installation instructions for further details.
- IKIO Direct-Wire (UL Type B) Lamps are designed for use with IKIO LED-Ready fixtures (follow lamp wiring instructions). When using any alternate-brand fixture, please review the specific IKIO lamp installation guide wiring requirements first to make sure the fixture is compatible before lamp installation.