

ITEM SKU#: 662187479071

# Contrizza

 CCT & Power Selectable

Architectural Troffer 2' x 4'

COMMERCIAL LIGHTING | TROFFERS



## FEATURES

- CCT & power selectable.
- Suitable for a wide range of applications due to its low profile.
- Lesser energy consumption than traditional linear fluorescent fixtures.
- Metal surfaces are finished in high gloss, baked white powder paint for durability and better aesthetics.

## APPLICATIONS

Ideal for large warehouses, retail applications, commercial buildings and work areas.

## MOUNTING OPTIONS

Surface Mount Kit

## PRODUCT DETAILS

### ELECTRICAL

|                                 |                     |
|---------------------------------|---------------------|
| Power                           | 20 W-30 W-36 W-40 W |
| Voltage                         | 100-277 V           |
| Current                         | 0.44 A              |
| Power Factor                    | ≥ 0.90              |
| Total Harmonic Distortion (THD) | --                  |

### LIGHTING PERFORMANCE

|  |                                 |
|--|---------------------------------|
| Lumens                                       | 2500 lm-3750 lm-4500 lm-5000 lm |
| Efficacy                                     | 125 lm/W                        |
| Color Temperature (CCT)                      | 3000 K-3500 K-4000 K-5000 K     |
| Color Rendering (CRI)                        | 80+                             |
| R9 (Red Value)                               | N/A                             |
| R13 (Skin Tones)                             | N/A                             |
| Beam Angle                                   | 120°                            |
| Light Distribution                           | --                              |
| BUG Rating ( Backlight, Uplight, and Glare ) | --                              |
| Dimmable Lighting Control                    | 0-10 V, Range 10% - 100%        |

### ENVIRONMENT

|                                |                  |
|--------------------------------|------------------|
| Operating Temperature          | -14 °F ~ +113 °F |
| Suitable Location              | <b>DAMP</b>      |
| Ingress Protection Rating (IP) | IP40             |

### LIFESPAN

|                      |  |
|----------------------|--|
| Average Life (Hours) | 50,000   |
| Warranty (Years)     | <b>5</b><br>(10 Years Warranty Option Available) |

### COMPONENTS

|                  |         |
|------------------|---------|
| LED Light Source | Runlite |
| Driver           | Lyford  |

### CONSTRUCTION

|                     |                             |
|---------------------|-----------------------------|
| Housing             | Aluminum                    |
| Lens                | Polycarbonate               |
| Base / Power Supply | Hard Wire / Surge Protector |
| Finish              | White                       |

### PART NUMBER & QUALIFICATIONS

|                       |                   |
|-----------------------|-------------------|
| Ordering Part Number  | IK-AT24-0040-XX-J |
| Qualified Part Number | Not Qualified Yet |
| SKU Number            | 662187479071      |

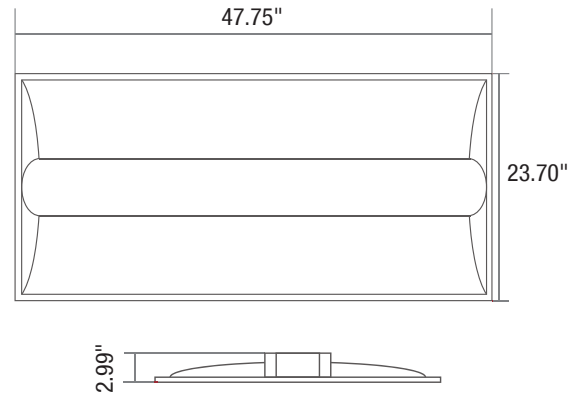


## DIMENSIONS AND WEIGHT

|                  |        |
|------------------|--------|
| Length           | 47.75" |
| Height           | 2.99"  |
| Width            | 23.74" |
| Net Weight (lbs) | --     |

## PACKAGING

|                         |    |
|-------------------------|----|
| Box Dimensions (Inches) | -- |
| Box Weight (lbs)        | -- |
| Quantity Per Box        | 1  |



## SUPPORTING DOCUMENTS

|   |                                 |
|---|---------------------------------|
| <a href="#">Product Sheet</a>             | <a href="#">View / Download</a> |
| <a href="#">Installation Instructions</a> | <a href="#">View / Download</a> |
| <a href="#">IES Files</a>                 | <a href="#">On Request</a>      |
| <a href="#">LM79 Files</a>                | <a href="#">On Request</a>      |
| <a href="#">LM80 Files</a>                | <a href="#">On Request</a>      |

## ORDERING INFORMATION

| ITEM         | DESCRIPTION  | CASE |
|--------------|--|------|
| 662187479071 | CONTRIZZA CCT & POWER SELECTABLE ARCHITECTURAL TROFFER 2' x 4': 20 W-30 W-36 W-40 W / 3000 K-3500 K-4000 K-5000K / 100-277 V / WHITE | 1    |

## ACCESSORIES

|              |  |   |
|--------------|--|---|
| 662187558875 | EMERGENCY PACK FOR LED FIXTURE 10 W/90 MIN/SPLIT TYPE/L AC | 1 |
| 662187528601 | EMERGENCY PACK FOR LED FIXTURE 18 W/90 MIN/SPLIT TYPE/L DC | 1 |
| 662187548487 | SMART OCCUPANCY SENSOR ON/OFF ONLY                         | 1 |
| 662187548043 | SMART OCCUPANCY SENSOR WITH DAYLIGHT HARVESTING            | 1 |
| 662187477046 | REMOTE CONTROL   | 1 |

## MOUNTING OPTIONS

|              |                   |   |
|--------------|-------------------|---|
| 662187477091 | SURFACE MOUNT KIT | 1 |
|--------------|-------------------|---|

### ADDITIONAL INFORMATION:

- Default settings; 40 W, 5000K.
- When the fixture is in emergency mode the color temperature will default to 5000K.
- The color temperature and wattage may be adjusted by two slide switches integrated into the driver.
- The color temperature and wattage should be selected prior to installation.

