

ITEM SKU#: 662187555058

Contrizza

 CCT & Power Selectable

Architectural Troffer 2' x 2'

COMMERCIAL LIGHTING | TROFFERS



FEATURES

- CCT & power selectable.
- Suitable for a wide range of applications due to its low profile.
- Lesser energy consumption than traditional linear fluorescent fixtures.
- Metal surfaces are finished in high gloss, baked white powder paint for durability and better aesthetics.

APPLICATIONS

Ideal for large warehouses, retail applications, commercial buildings and work areas.

MOUNTING OPTIONS

Surface Mount Kit

PRODUCT DETAILS

ELECTRICAL

Power	15 W-25 W-30 W-36 W
Voltage	100-277 V
Current	0.40 A
Power Factor	≥ 0.90
Total Harmonic Distortion (THD)	--

LIGHTING PERFORMANCE

Lumens	1875 lm-3125 lm-3750 lm-4500 lm
Efficacy	125 lm/W
Color Temperature (CCT)	3000 K-3500 K-4000 K-5000 K
Color Rendering (CRI)	80+
R9 (Red Value)	N/A
R13 (Skin Tones)	N/A
Beam Angle	120°
Light Distribution	-
BUG Rating (Backlight, Uplight, and Glare)	-
Dimmable Lighting Control	0-10 V, Range 10% - 100%

ENVIRONMENT

Operating Temperature	-14 °F ~ +113 °F
Suitable Location	DAMP
Ingress Protection Rating (IP)	IP40

LIFESPAN

Average Life (Hours)	50,000
Warranty (Years)	5 (10 Years Warranty Option Available)

COMPONENTS

LED Light Source	Runlite
Driver	Lyford

CONSTRUCTION

Housing	Aluminum
Lens	Polycarbonate
Base / Power Supply	Hard Wire / Surge Protector
Finish	White

PART NUMBER & QUALIFICATIONS

Ordering Part Number	IK-AT22-0036-XX-J
Qualified Part Number	Not Qualified Yet
SKU Number	662187555058

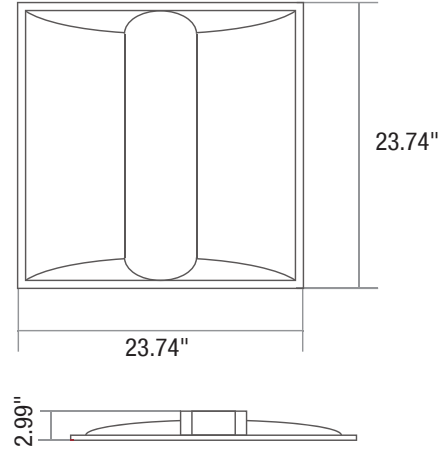


DIMENSIONS AND WEIGHT

Length	23.74"
Height	2.99"
Width	23.74"
Net Weight (lbs)	--

PACKAGING

Box Dimensions (Inches)	--
Box Weight (lbs)	--
Quantity Per Box	1



SUPPORTING DOCUMENTS

Product Sheet	View / Download
Installation Instructions	View / Download
IES Files	On Request
LM79 Files	On Request
LM80 Files	On Request

ORDERING INFORMATION

ITEM	DESCRIPTION	CASE
662187555058	CONTRIZZA CCT & POWER SELECTABLE ARCHITECTURAL TROFFER 2' x 2': 15 W-25 W-30 W-36 W / 3000 K-3500 K-4000 K-5000K / 100-277 V / WHITE	1

ACCESSORIES

662187558875	EMERGENCY PACK FOR LED FIXTURE 10 W/90 MIN/SPLIT TYPE/L AC	1
662187528601	EMERGENCY PACK FOR LED FIXTURE 18 W/90 MIN/SPLIT TYPE/L DC	1
662187548487	SMART OCCUPANCY SENSOR ON/OFF ONLY	1
662187548043	SMART OCCUPANCY SENSOR WITH DAYLIGHT HARVESTING	1
662187477046	REMOTE CONTROL	1

MOUNTING OPTIONS

662187477084	SURFACE MOUNT KIT	1
--------------	-------------------	---

ADDITIONAL INFORMATION:

- Default settings; 40 W, 5000K.
- When the fixture is in emergency mode the color temperature will default to 5000K.
- The color temperature and wattage may be adjusted by two slide switches integrated into the driver.
- The color temperature and wattage should be selected prior to installation.

