

ITEM SKU#: 662187464589

Defenza[®] Tri-Proof Luminaire

COMMERCIAL LIGHTING | LED TRI-PROOF LIGHTS



FEATURES

- Rugged design to resist vandalism damages.
- Multiple CCT variants.
- Special design for multiple fixture linking.
- Designed for effective heat management.
- Dust & water resistant.

APPLICATIONS

Underground Parking Lots, Metro Stations, Airports, Schools, Subway Stations, Stairwells, Tunnels, Hallways, Outdoor Playgrounds, Indoor Stadiums

PRODUCT DETAILS

ELECTRICAL

Power	90 W
Voltage	120-277 V
Current	0.83 A
Power Factor	≥0.90
Total Harmonic Distortion (THD)	--

LIGHTING PERFORMANCE

Lumens	11700 lm
Efficacy	130 lm/W
Color Temperature (CCT)	5000 K
Color Rendering (CRI)	80+
R9 (Red Value)	N/A
R13 (Skin Tones)	N/A
Beam Angle	120°
Light Distribution	--
BUG Rating (Backlight, Uplight, and Glare)	--
Dimmable Lighting Control	Continuous Dimming to 10% or Below (0-10 V)

ENVIRONMENT

Operating Temperature	-10 °F ~ +200 °F
Suitable Location	WET
Ingress Protection Rating (IP)	IP66
Impact Protection (IK)	IK10

LIFESPAN

Average Life (Hours)	50,000
Warranty (Years)	5 (10 Years Warranty Option Available)

COMPONENTS

LED Light Source	--
Driver	--

CONSTRUCTION

Housing	Aluminum and Polycarbonate
Diffuser	Frosted
Base / Power Supply	Direct Wire
Finish	White

QUALIFICATIONS

Model Number	Not Qualified Yet
SKU Number	662187464589

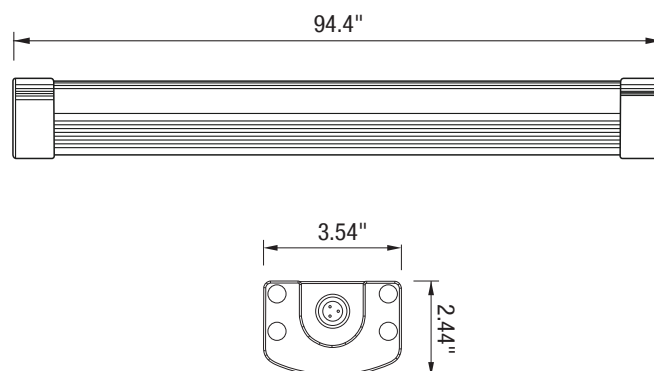


DIMENSIONS AND WEIGHT

Length	94.4"
Height	2.44"
Width	3.54"
Net Weight (lbs)	--

PACKAGING

Box Dimensions (Inches)	100.98" l 5.31" l 6.10"
Box Weight (lbs)	--
Quantity Per Box	2



SUPPORTING DOCUMENTS

Product Sheet	View / Download
Installation Instructions	View / Download
IES Files	View / Download
LM79 Files	View / Download
LM80 Files	On Request

ORDERING INFORMATION

ITEM	DESCRIPTION	CASE
662187464589	DEFENZA TRI-PROOF LUMINAIRE: 8 FT / 90 W / 5000 K / 120-277 V / DIMMABLE / WHITE	1

ACCESSORIES

XXX-XXX-XXX	POWER CORD	1
XXX-XXX-XXX	CONNECTION CABLE	1
XXX-XXX-XXX	CLIPS	1
XXX-XXX-XXX	SCREWS	1

MOUNTING BRACKETS

XXX-XXX-XXX	-	1
XXX-XXX-XXX	-	1
XXX-XXX-XXX	-	1

REPLACEMENT PARTS

XXX-XXX-XXX	-	1
-------------	---	---