

ITEM SKU#: 662187464565

# Defenza<sup>®</sup> Tri-Proof Luminaire

## COMMERCIAL LIGHTING | LED TRI-PROOF LIGHTS



### FEATURES

- Rugged design to resist vandalism damages.
- Multiple CCT variants.
- Special design for multiple fixture linking.
- Designed for effective heat management.
- Dust & water resistant.

### APPLICATIONS

Underground Parking Lots, Metro Stations, Airports, Schools, Subway Stations, Stairwells, Tunnels, Hallways, Outdoor Playgrounds, Indoor Stadiums

### PRODUCT DETAILS

#### ELECTRICAL

Power	90 W
Voltage	120-277 V
Current	0.83 A
Power Factor	≥0.90
Total Harmonic Distortion (THD)	--

#### LIGHTING PERFORMANCE

Lumens	11700 lm
Efficacy	130 lm/W
Color Temperature (CCT)	3000 K
Color Rendering (CRI)	80+
R9 (Red Value)	N/A
R13 (Skin Tones)	N/A
Beam Angle	120°
Light Distribution	--
BUG Rating ( Backlight, Uplight, and Glare )	--
Dimmable Lighting Control	Continuous Dimming to 10% or below (0-10 V)

#### ENVIRONMENT

Operating Temperature	-10 °F ~ +200 °F
Suitable Location	<b>WET</b>
Ingress Protection Rating (IP)	IP66
Impact Protection (IK)	IK10

#### LIFESPAN

Average Life (Hours)	50,000
Warranty (Years)	<b>5</b> (10 Years Warranty Option Available)

#### COMPONENTS

LED Light Source	--
Driver	--

#### CONSTRUCTION

Housing	Aluminum and Polycarbonate
Diffuser	Frosted
Base / Power Supply	Direct Wire
Finish	White

#### QUALIFICATIONS

Model Number	Not Qualified Yet
SKU Number	662187464565

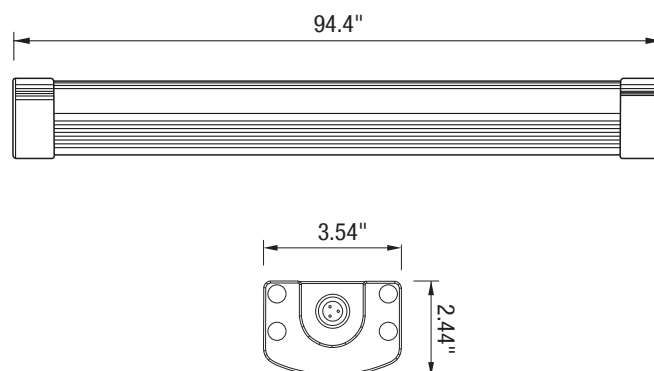


## DIMENSIONS AND WEIGHT

Length	94.4"
Height	2.44"
Width	3.54"
Net Weight (lbs)	--

## PACKAGING

Box Dimensions (Inches)	100.98" l 5.31" l 6.10"
Box Weight (lbs)	--
Quantity Per Box	2



## SUPPORTING DOCUMENTS

<a href="#">Product Sheet</a>	<a href="#">View / Download</a>
<a href="#">Installation Instructions</a>	<a href="#">View / Download</a>
<a href="#">IES Files</a>	<a href="#">View / Download</a>
<a href="#">LM79 Files</a>	On Request
<a href="#">LM80 Files</a>	On Request

## ORDERING INFORMATION

ITEM	DESCRIPTION	CASE
662187464565	DEFENZA TRI-PROOF LUMINAIRE: 8 FT / 90 W / 3000 K / 120-277 V / DIMMABLE / WHITE	1

## ACCESSORIES

XXX-XXX-XXX	POWER CORD	1
XXX-XXX-XXX	CONNECTION CABLE	1
XXX-XXX-XXX	CLIPS	1
XXX-XXX-XXX	SCREWS	1

## MOUNTING BRACKETS

XXX-XXX-XXX	-	1
XXX-XXX-XXX	-	1
XXX-XXX-XXX	-	1

## REPLACEMENT PARTS

XXX-XXX-XXX	-	1
-------------	---	---