

ITEM SKU#: 662187555034

Contrila CCT & Power Selectable Edge-Lit Panel Light 2' x 4'

COMMERCIAL LIGHTING | PANEL LIGHTS



FEATURES

- Edge-lit low-profile design.
- CCT and wattage selectable for enhanced light control.
- High-quality LGP for evenly distributed light.
- Supports dimming.

APPLICATIONS

Ideal for retrofitting inefficient light fixtures in malls, hospitals, airports, offices, lobbies and other commercial applications.

MOUNTING OPTIONS

Surface Mount Kit
Suspended Mount Kit

PRODUCT DETAILS

ELECTRICAL

Power (Selectable)	34 W-40 W-45 W-50 W
Voltage	100-277 V
Current	0.56 A
Power Factor	≥0.90
Total Harmonic Distortion (THD)	15%

LIGHTING PERFORMANCE

Lumens	4250 lm-5000 lm-5625 lm-6250 lm
Efficacy	125 lm/W
Color Temperature (CCT)	3000 K-3500 K-4000 K-5000 K
Color Rendering (CRI)	80+
R9 (Red Value)	3-10-3
R13 (Skin Tones)	--
Beam Angle	120°
Light Distribution	Type VS
BUG Rating (Backlight, Uplight, and Glare)	B2 - U2 - G1
Dimmable Lighting Control	0-10 V, Range 10% - 100%

ENVIRONMENT

Operating Temperature	-4 °F ~ + 113 °F
Suitable Location	DAMP
Ingress Protection Rating (IP)	IP40

LIFESPAN

Average Life (Hours)	50,000
Warranty (Years)	5 (10 Years Warranty Option Available)

COMPONENTS

LED Light Source	Epistar
Driver	Lifud

CONSTRUCTION

Housing	Aluminum and High Quality LGP
Diffuser	--
Base / Power Supply	Hard Wired
Finish	White

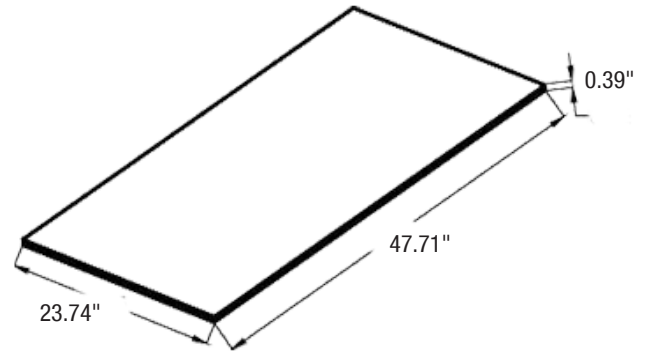
PART NUMBER & QUALIFICATIONS

Ordering Part Number	IK-FP24-0050-DY-XX-J
Qualified Part Number	Not Qualified Yet
SKU Number	662187555034



DIMENSIONS AND WEIGHT

Lenght	47.71"
Height	0.39"
Width	23.74"
Net Weight (lbs)	--
Chain Length	--
Wire Length	--



PACKAGING

Box Dimensions (Inches)	--
Box Weight (lbs)	--
Quantity Per Box	1

SUPPORTING DOCUMENTS

Product Sheet	View / Download
Installation Instructions	On Request
IES Files	On Request
LM79 Files	On Request
LM80 Files	On Request

ORDERING INFORMATION

ITEM	DESCRIPTION	CASE
662187555034	CONTRILA 2' x 4': 34 W-40 W-45 W-50 W / 3000 K-3500 K-4000 K-5000 K / 100-277 V / DIMMABLE / WHITE	1

ACCESSORIES

662187558875	EMERGENCY PACK FOR LED FIXTURE 10 W/90 MIN/SPLIT TYPE/L AC	1
662187528601	EMERGENCY PACK FOR LED FIXTURE 18 W/90 MIN/SPLIT TYPE/L DC	1
662187548487	SMART OCCUPANCY SENSOR ON/OFF ONLY	1
662187548043	SMART OCCUPANCY SENSOR WITH DAYLIGHT HARVESTING	1
662187477046	REMOTE CONTROL	1

MOUNTING OPTIONS

662187477114	SURFACE MOUNT KIT	1
662187476629	SUSPENDED MOUNT KIT	1