



ITEM SKU#: 662187535692

# Striza Magnetic Strip kit

COMMERCIAL LIGHTING | MAGNETIC STRIPS

## FEATURES

- Offers greater savings over conventional fluorescent fixtures.
- Wide aluminum carrier angles which provide improved heat sinking and optic diffusion capability.
- Easy to install with magnetic retrofit technology.

## APPLICATIONS

Commercial Spaces, Residential Area and Office Area.

## PRODUCT DETAILS

### ELECTRICAL

Power	80 W
Voltage	100-277 V
Current	0.22 A
Power Factor	0.9
Total Harmonic Distortion (THD)	20%

### LIGHTING PERFORMANCE

Lumens	9440 lm
Efficacy	118 lm/W
Color Temperature (CCT)	5000 K
Color Rendering (CRI)	83
R9 (Red Value)	27
R13 (Skin Tones)	86
Beam Angle	120°
Light Distribution	Type VS
BUG Rating ( Backlight, Uplight, and Glare )	B2 - U2 - G1
Dimmable Lighting Control	0-10 V, Range 10% - 100%

### ENVIRONMENT

Operating Temperature	-4 °F ~ +122 °F
Suitable Location	<b>INDOOR</b>
Ingress Protection Rating (IP)	IP40

### LIFESPAN

Average Life (Hours)	50,000
Warranty (Years)	<b>5</b> (10 Years Warranty Option Available)

### COMPONENTS

LED Light Source	SMD2835
Driver	Meanwell

### CONSTRUCTION

Housing	Aluminum and Metal sheet
Lens	Polycarbonate
Base / Power Supply	Hard Wired
Finish	--
Diffuser	Frosted

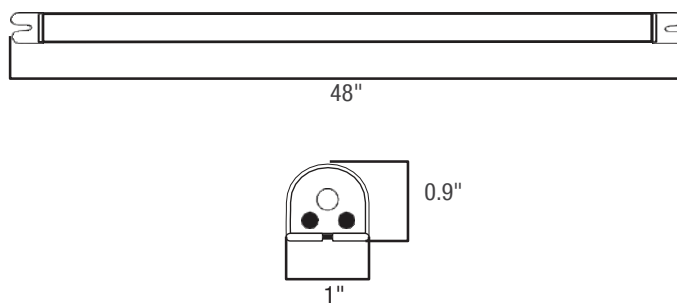
### QUALIFICATIONS

Model Number	Not Qualified Yet
SKU Number	662187535692



## DIMENSIONS AND WEIGHT

Length	48"
Height	0.9"
Width	1"
Net Weight (lbs)	--
Chain Length	--
Wire Length	--



## PACKAGING

Box Dimensions (Inches)	--
Box Weight (lbs)	--
Quantity Per Box	30

## SUPPORTING DOCUMENTS

<a href="#">Product Sheet</a>	<a href="#">View / Download</a>
<a href="#">Installation Instructions</a>	<a href="#">View / Download</a>
<a href="#">IES Files</a>	<a href="#">View / Download</a>
<a href="#">LM79 Files</a>	<a href="#">View / Download</a>
<a href="#">LM80 Files</a>	On Request

## ORDERING INFORMATION

ITEM	DESCRIPTION	CASE
662187535692	STRIZA MAGNETIC STRIP KIT: 4 FT / 80 W / 5000 K / 100-277 V / DIMMABLE	1

## ACCESSORIES

662187476186	EMERGENCY PACK FOR LED FIXTURE 10 W/90 MIN/SPLIT TYPE/L AC	1
662187528601	EMERGENCY PACK FOR LED FIXTURE 18 W/90 MIN/SPLIT TYPE/L DC	1