

ITEM SKU#: 662187535333

Striza Magnetic Strip kit

COMMERCIAL LIGHTING | MAGNETIC STRIPS

FEATURES

- Offers greater savings over conventional fluorescent fixtures.
- Wide aluminum carrier angles which provide improved heat sinking and optic diffusion capability.
- Easy to install with magnetic retrofit technology.

APPLICATIONS

Commercial Spaces, Residential Area and Office Area.

PRODUCT DETAILS

ELECTRICAL

| | |
|---------------------------------|-----------|
| Power | 30 W |
| Voltage | 100-277 V |
| Current | 0.17 A |
| Power Factor | 0.9 |
| Total Harmonic Distortion (THD) | 20% |

LIGHTING PERFORMANCE

| | |
|--|--------------------------|
| Lumens | 3300 lm |
| Efficacy | 110 lm/W |
| Color Temperature (CCT) | 5000 K |
| Color Rendering (CRI) | 82 |
| R9 (Red Value) | 27 |
| R13 (Skin Tones) | 86 |
| Beam Angle | 120° |
| Light Distribution | Type VS |
| BUG Rating (Backlight, Uplight, and Glare) | B2 - U2 - G1 |
| Dimmable Lighting Control | 0-10 V, Range 10% - 100% |



ENVIRONMENT

| | |
|--------------------------------|-----------------|
| Operating Temperature | -4 °F ~ +122 °F |
| Suitable Location | INDOOR |
| Ingress Protection Rating (IP) | IP40 |

LIFESPAN

| | |
|----------------------|--|
| Average Life (Hours) | 50,000 |
| Warranty (Years) | 5 (10 Years Warranty Option Available) |

COMPONENTS

| | |
|------------------|----------|
| LED Light Source | SMD2835 |
| Driver | Meanwell |

CONSTRUCTION

| | |
|---------------------|--------------------------|
| Housing | Aluminum and Metal sheet |
| Lens | Polycarbonate |
| Base / Power Supply | Hard Wired |
| Finish | -- |
| Diffuser | Frosted |

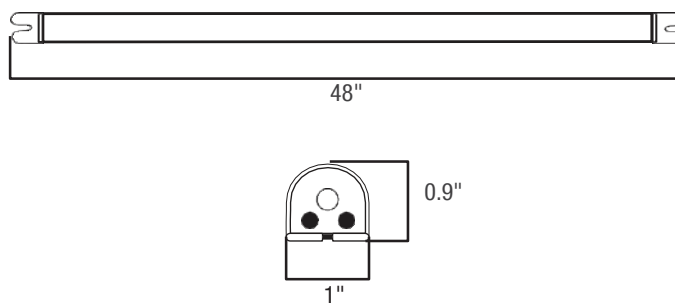
QUALIFICATIONS

| | |
|--------------|-------------------|
| Model Number | Not Qualified Yet |
| SKU Number | 662187535333 |



DIMENSIONS AND WEIGHT

| | |
|------------------|------|
| Length | 48" |
| Height | 0.9" |
| Width | 1" |
| Net Weight (lbs) | -- |
| Chain Length | -- |
| Wire Length | -- |



PACKAGING

| | |
|-------------------------|----|
| Box Dimensions (Inches) | -- |
| Box Weight (lbs) | -- |
| Quantity Per Box | 30 |

SUPPORTING DOCUMENTS

| | |
|---|---------------------------------|
| Product Sheet | View / Download |
| Installation Instructions | View / Download |
| IES Files | View / Download |
| LM79 Files | On Request |
| LM80 Files | On Request |

ORDERING INFORMATION

| ITEM | DESCRIPTION | CASE |
|--------------|--|------|
| 662187535333 | STRIZA MAGNETIC STRIP KIT: 4 FT / 30 W / 5000 K / 100-277 V / DIMMABLE | 1 |

ACCESSORIES

| | | |
|--------------|--|---|
| 662187476186 | EMERGENCY PACK FOR LED FIXTURE 10 W/90 MIN/SPLIT TYPE/L AC | 1 |
| 662187528601 | EMERGENCY PACK FOR LED FIXTURE 18 W/90 MIN/SPLIT TYPE/L DC | 1 |