

ITEM SKU#: 662187535326

Striza Magnetic Strip kit

COMMERCIAL LIGHTING | MAGNETIC STRIPS

FEATURES

- Offers greater savings over conventional fluorescent fixtures.
- Wide aluminum carrier angles which provide improved heat sinking and optic diffusion capability.
- Easy to install with magnetic retrofit technology.

APPLICATIONS

Commercial Spaces, Residential Area and Office Area.

PRODUCT DETAILS

ELECTRICAL

Power	30 W
Voltage	100-277 V
Current	0.17 A
Power Factor	0.9
Total Harmonic Distortion (THD)	20%

LIGHTING PERFORMANCE

Lumens	3300 lm
Efficacy	110 lm/W
Color Temperature (CCT)	4000 K
Color Rendering (CRI)	82
R9 (Red Value)	27
R13 (Skin Tones)	86
Beam Angle	120°
Light Distribution	Type VS
BUG Rating (Backlight, Uplight, and Glare)	B2 - U2 - G1
Dimmable Lighting Control	0-10 V, Range 10% - 100%



ENVIRONMENT

Operating Temperature	-4 °F ~ +122 °F
Suitable Location	INDOOR
Ingress Protection Rating (IP)	IP40

LIFESPAN

Average Life (Hours)	50,000
Warranty (Years)	5 (10 Years Warranty Option Available)

COMPONENTS

LED Light Source	SMD2835
Driver	Meanwell

CONSTRUCTION

Housing	Aluminum and Metal sheet
Lens	Polycarbonate
Base / Power Supply	Hard Wired
Finish	--
Diffuser	Frosted

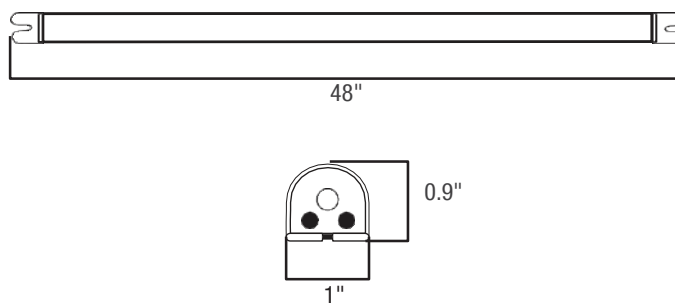
QUALIFICATIONS

Model Number	Not Qualified Yet
SKU Number	662187535326



DIMENSIONS AND WEIGHT

Length	48"
Height	0.9"
Width	1"
Net Weight (lbs)	--
Chain Length	--
Wire Length	--



PACKAGING

Box Dimensions (Inches)	--
Box Weight (lbs)	--
Quantity Per Box	30

SUPPORTING DOCUMENTS

Product Sheet	View / Download
Installation Instructions	View / Download
IES Files	View / Download
LM79 Files	On Request
LM80 Files	On Request

ORDERING INFORMATION

ITEM	DESCRIPTION	CASE
662187535326	STRIZA MAGNETIC STRIP KIT: 4 FT / 30 W / 4000 K / 100-277 V / DIMMABLE	1

ACCESSORIES

662187476186	EMERGENCY PACK FOR LED FIXTURE 10 W/90 MIN/SPLIT TYPE/L AC	1
662187528601	EMERGENCY PACK FOR LED FIXTURE 18 W/90 MIN/SPLIT TYPE/L DC	1