

CPS Series

ITEM SKU#: 662187529301

Delphi Architectural Troffer (2' x 2')

CPS SERIES | TROFFERS



FEATURES

- CCT & Power Selectable.
- Soft, smooth and uniform light output.
- Suitable for a wide range of applications due to its low profile.
- Metal surfaces are painted pre-fabrication with high gloss baked silver matte powder paint, for better and long-lasting finish.

APPLICATIONS

Ideal for large warehouses, retail applications, commercial buildings and work areas.

MOUNTING OPTIONS

Surface Mount Kit

PRODUCT DETAILS

ELECTRICAL

Power (Selectable)	20 W-25 W-30 W
Voltage	120-277 V
Current	0.27 A
Power Factor	0.9
Total Harmonic Distortion (THD)	10%
Surge Protection	2 kV

LIGHTING PERFORMANCE

Lumens	2520 lm-3150 lm-3780 lm
Efficacy	126 lm/W
Color Temperature (CCT)	3500 K-4000 K-5000 K
Color Rendering (CRI)	82
R9 (Red Value)	3
R13 (Skin Tones)	84
Beam Angle	120°
Light Distribution	T5
BUG Rating (Backlight, Uplight, and Glare)	N/A
Dimmable Lighting Control	Continuous Dimming to 10% or Below

ENVIRONMENT

Operating Temperature	-04 °F ~ +122 °F
Suitable Location	DAMP
Ingress Protection Rating (IP)	IP20

LIFESPAN

Average Life (Hours)	>60,000
Warranty (Years)	5 (+10 Years Warranty Option Available)

COMPONENTS

LED Light Source	Seoul 3528
Driver	Simon Driver

CONSTRUCTION

Housing	Galvanized steel plate
Cover Material / Lens	Polycarbonate PMMA
Diffuser	Frosted
Base / Power Supply	Hard Wire / Isolated Driver
Finish	White

PART NUMBER & QUALIFICATIONS

Ordering Part Number	IK-AT22E-202530-CCT-D
Qualified Part Number	Not Qualified Yet
SKU Number	662187529301

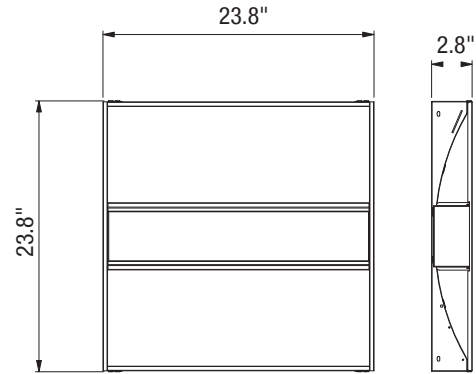


DIMENSIONS AND WEIGHT

Length	23.8"
Height	2.8"
Width	23.8"
Net Weight (lbs)	8.4

PACKAGING

Box Dimensions (Inches)	26" x 25" x 3.8"
Box Weight (lbs)	2.21
Quantity Per Box	1



SUPPORTING DOCUMENTS

Product Sheet	View / Download
Installation Instructions	View / Download
IES Files	On Request
LM79 Files	On Request
LM80 Files	On Request

ORDERING INFORMATION

ITEM	DESCRIPTION	CASE
662187529301	DELPHI ARCHITECTURAL TROFFER 2' x 2': 20 W-25 W-30 W / 3500 K-4000 K-5000 K / 120-277 V / DIMMABLE / WHITE	1

ACCESSORIES (OPTIONAL)

662187558875	EMERGENCY PACK FOR LED FIXTURE 10 W/90 MIN/SPLIT TYPE/L AC	1
662187528601	EMERGENCY PACK FOR LED FIXTURE 18 W/90 MIN/SPLIT TYPE/L DC	1
662187548487	HD401S-CR : SMART OCCUPANCY SENSOR ON/OFF ONLY	1
662187548043	HD407V-CR : SMART OCCUPANCY SENSOR WITH DAYLIGHT HARVESTING	1
662187477046	HD05R - REMOTE CONTROL	1
662187558073	IK-OCCS-R, HD03R: MICROWAVE SMART REMOTE CONTROL	1

MOUNTING OPTIONS

662187477091	SURFACE MOUNT KIT	1
--------------	-------------------	---